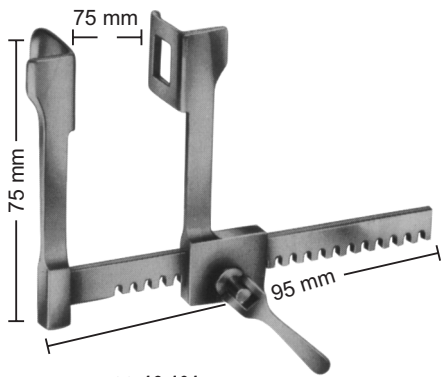


# SWISONS

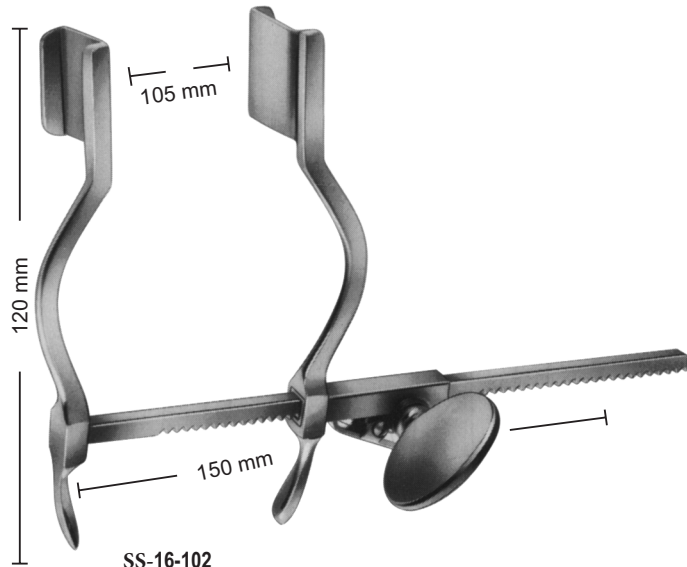
## SURGICALS

- Cardiovascular And Thoracic Surgery
- Muller Vessel Clips
- Bulldog Clamps

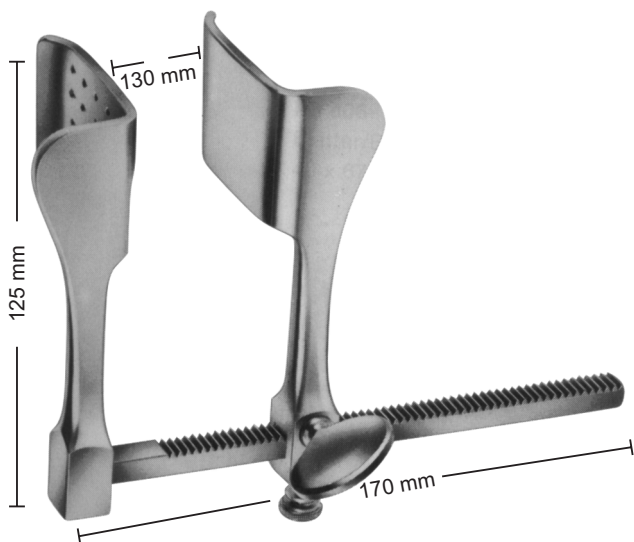




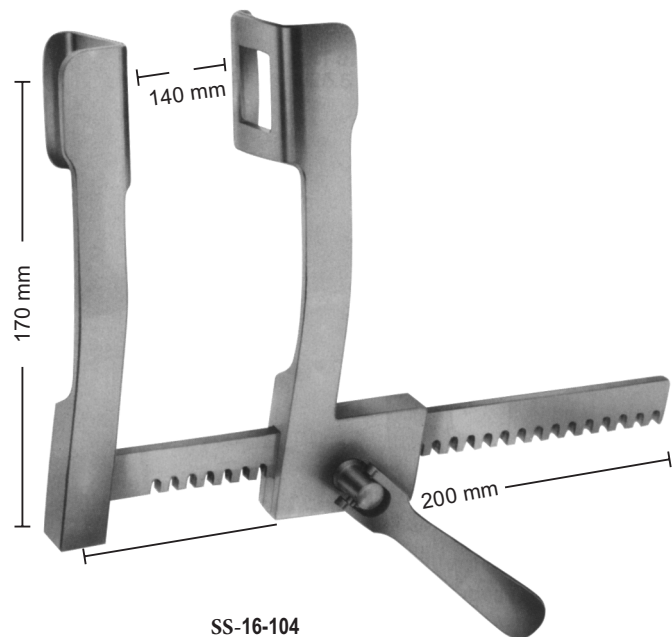
**SS-16-101**  
FINOCHIETTO  
for children  
18X21 mm



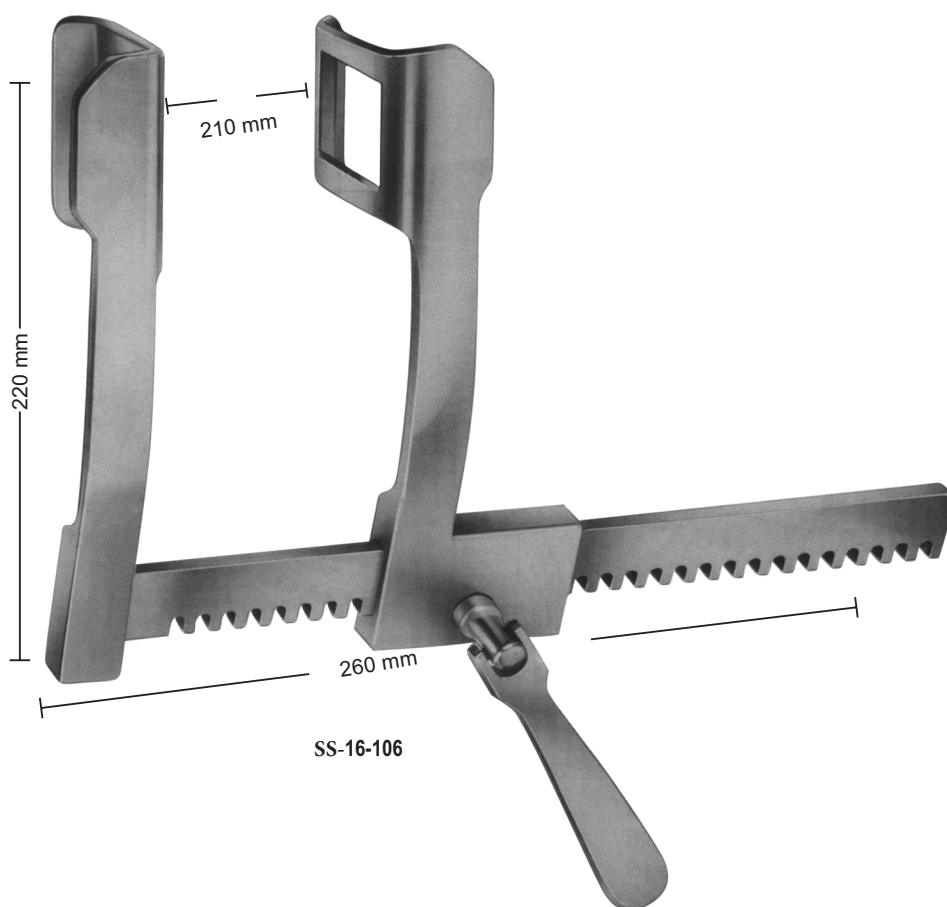
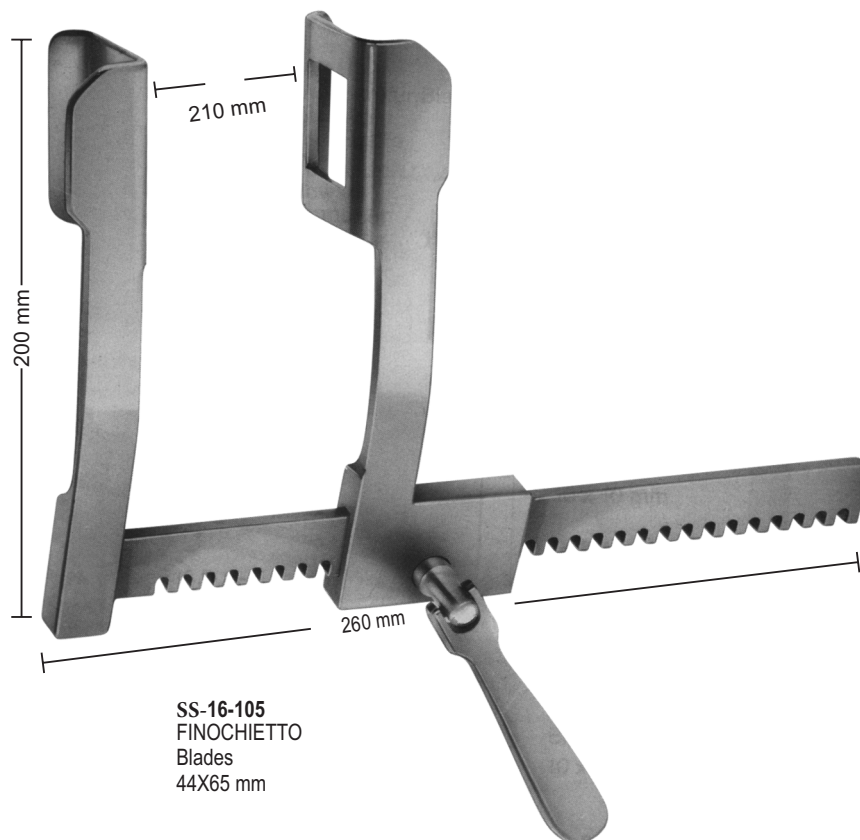
**SS-16-102**  
HERTZLER  
for children  
20X25 mm

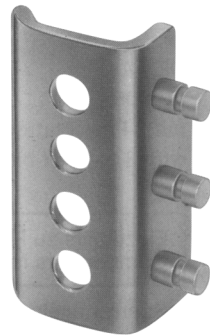


**SS-16-103**  
TUFFIER  
Blades  
43X53 mm

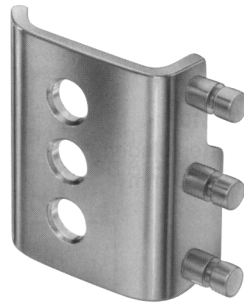


**SS-16-104**  
FINOCHIETTO  
Blades  
36X45 mm





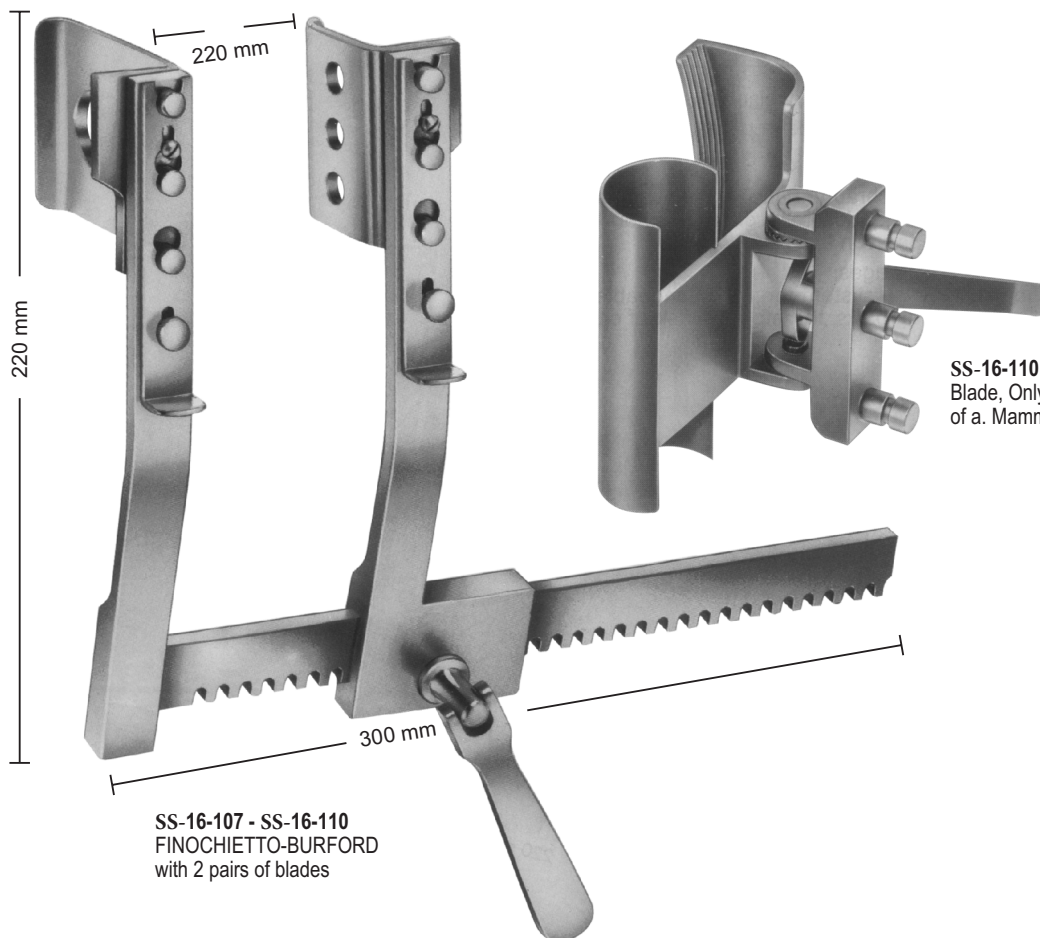
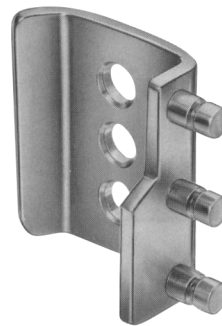
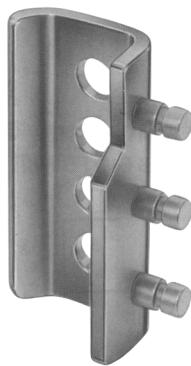
**SS-16-107**  
Blades  
46x67 mm



**SS-16-108**  
Blades  
80x67 mm

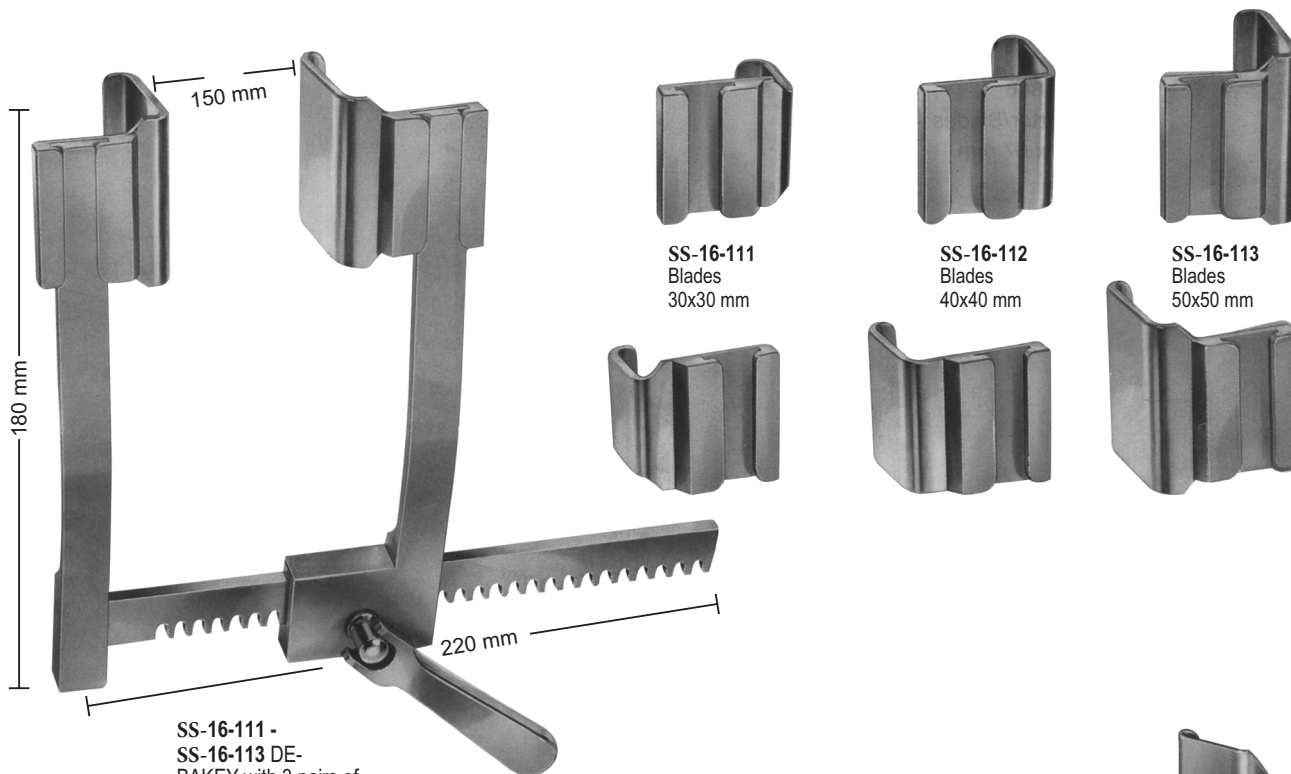


**SS-16-109**  
Blades  
46x67 mm

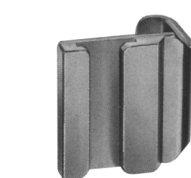


**SS-16-110**  
Blade, Only, for preparation  
of a. Mammaria, 25.5x80mm

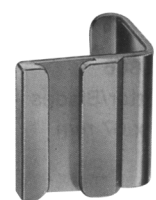
**SS-16-107 - SS-16-110**  
FINOCHIETTO-BURFORD  
with 2 pairs of blades



**SS-16-111 -  
SS-16-113 DE-  
BAKEY with 3 pairs of  
blades**



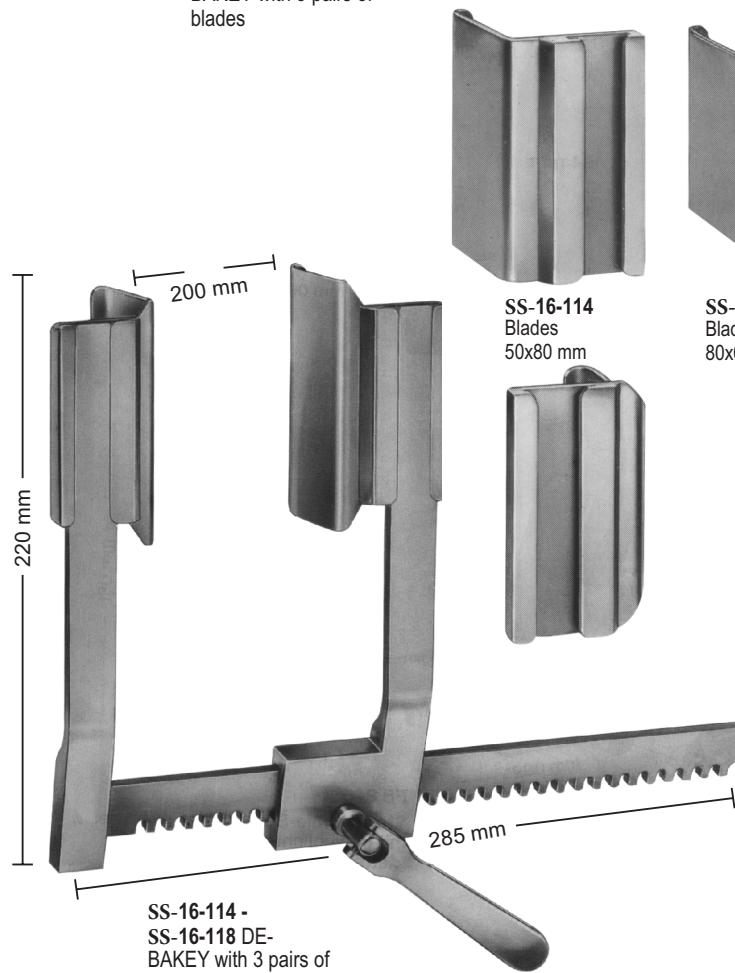
**SS-16-111  
Blades  
30x30 mm**



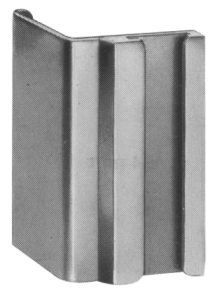
**SS-16-112  
Blades  
40x40 mm**



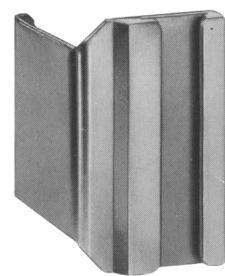
**SS-16-113  
Blades  
50x50 mm**



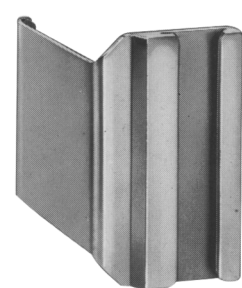
**SS-16-114 -  
SS-16-118 DE-  
BAKEY with 3 pairs of  
blades**



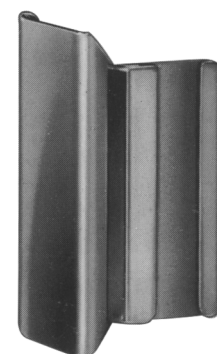
**SS-16-114  
Blades  
50x80 mm**



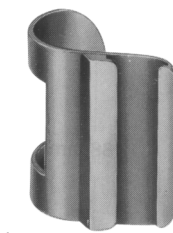
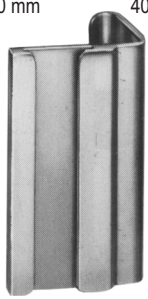
**SS-16-115  
Blades  
80x60 mm**



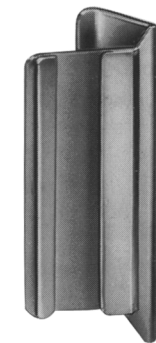
**SS-16-116  
Blades  
50x80 mm**

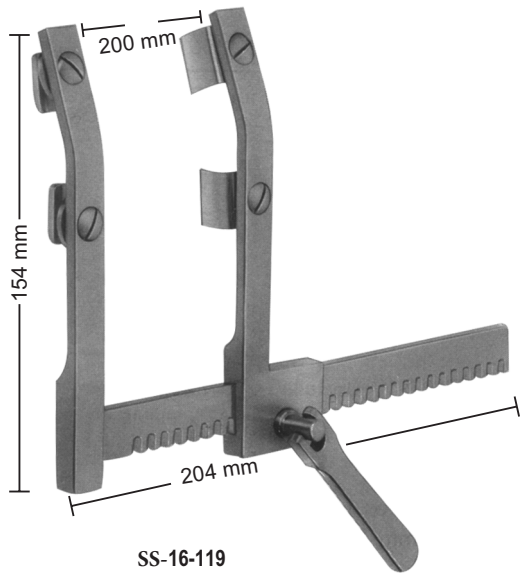


**SS-16-117  
Blades  
40x100 mm**

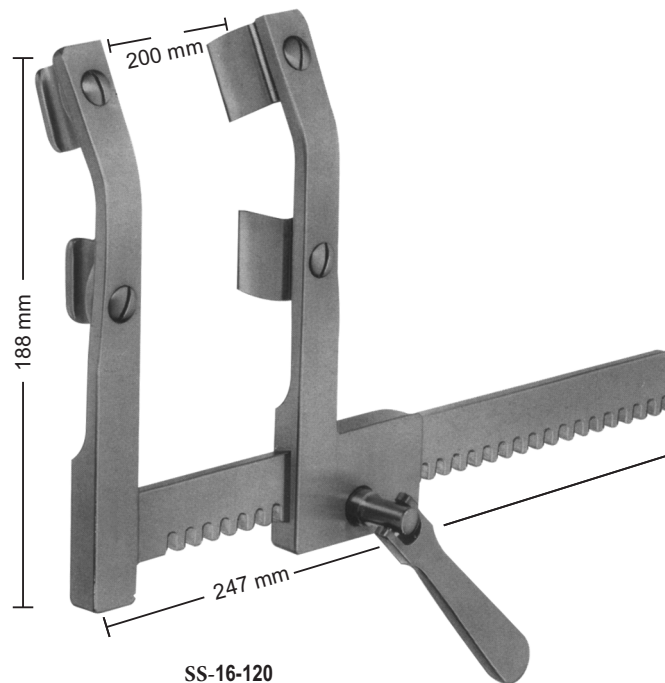


**SS-16-118  
Sternotomy Blades  
50x660 mm**

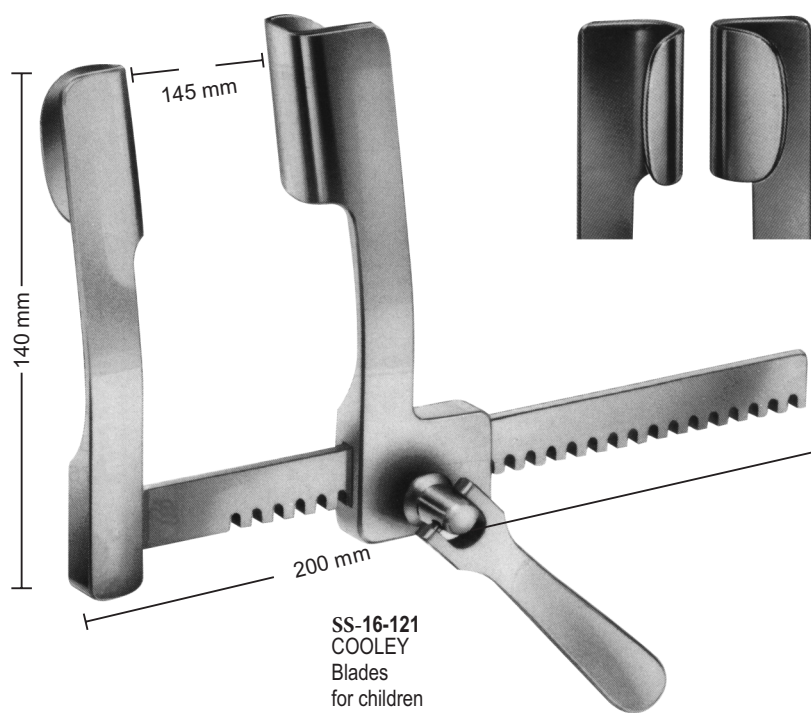




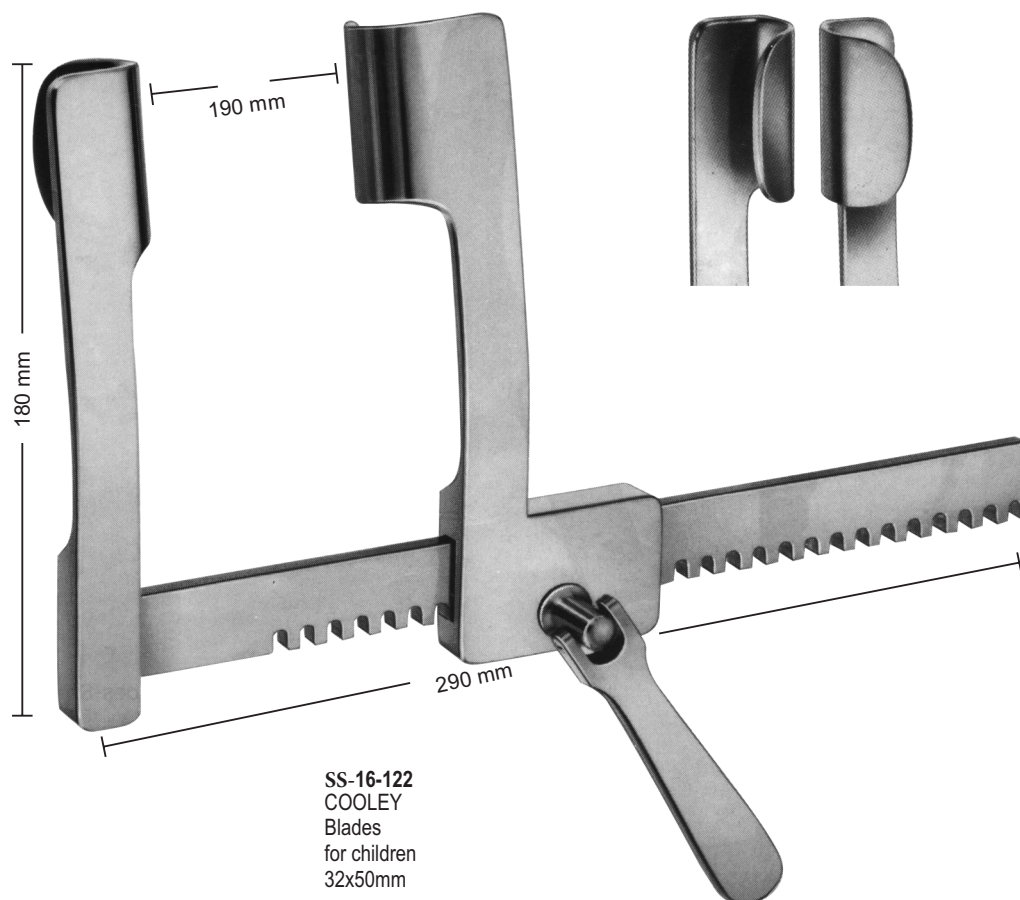
**SS-16-119**  
MORSE  
Sternotomy spreader  
for children, with moveable  
double, each blade  
12x20 mm



**SS-16-120**  
MORSE  
Sternotomy spreader  
for adults, with moveable  
double, each blade  
19x19 mm

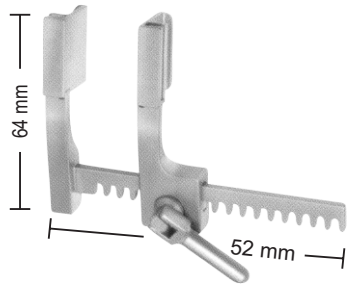


SS-16-121  
COOLEY  
Blades  
for children  
21x45mm

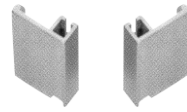


SS-16-122  
COOLEY  
Blades  
for children  
32x50mm

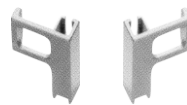
**STAINLESS STEEL**



**SS-16-123 - SS-16-124**  
for blades, with 2 pairs of blades  
9X20 mm 9X10 mm, spreading 52 mm

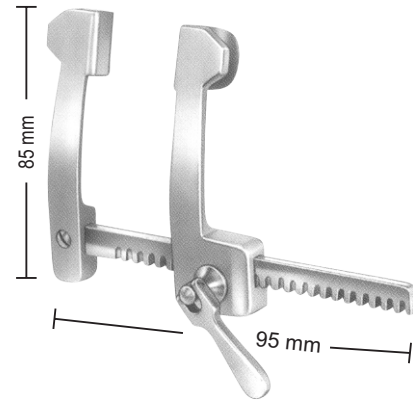


**SS-16-123**  
Blades, only  
9x20 mm



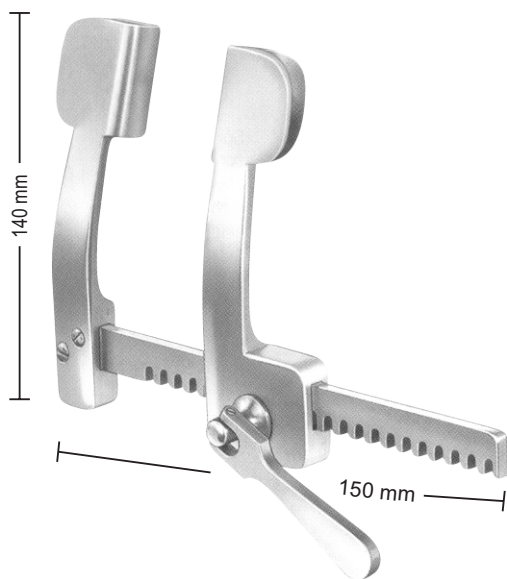
**SS-16-124**  
Blades, only  
9x10 mm

**ALUMINIUM**



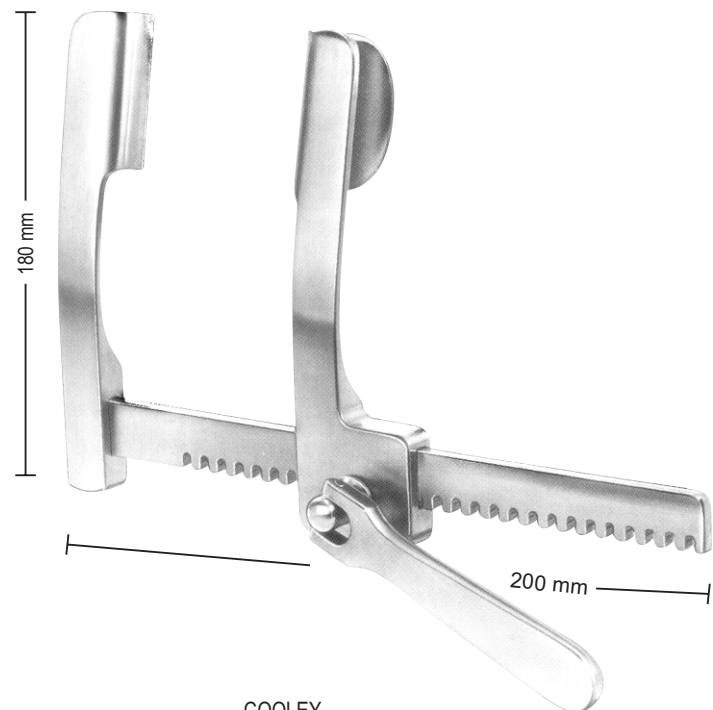
**COOLEY**  
**SS-16-1**  
for blades, lateral blades 12X16 mm,  
spreading 95 mm

**ALUMINIUM**



**COOLEY**  
**SS-16-1**  
for children, lateral blades 21X44 mm,  
spreading 150 mm

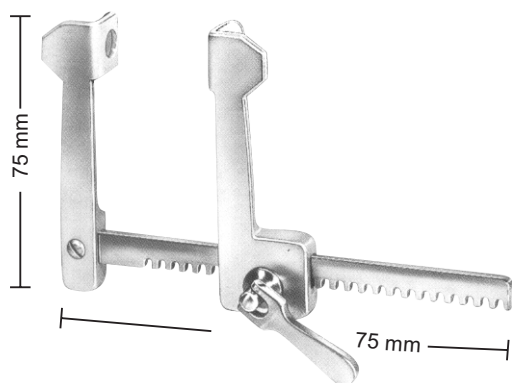
**ALUMINIUM**



**COOLEY**  
**SS-16-1**  
for adults, lateral blades 35X50 mm,  
spreading 200 mm

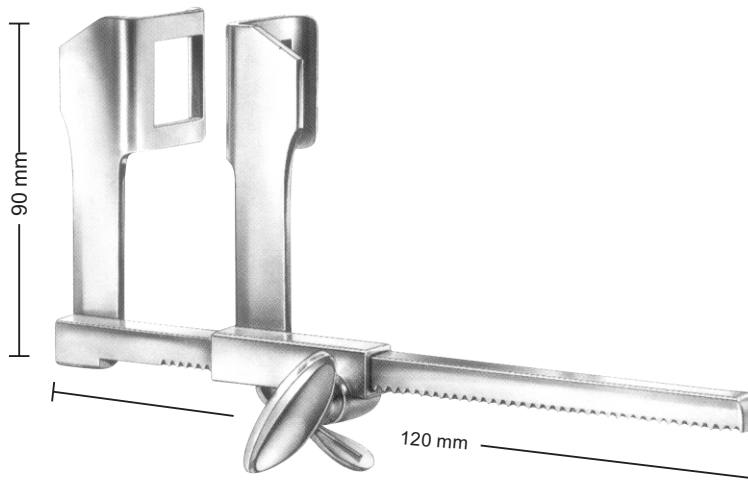


**ALUMINIUM**



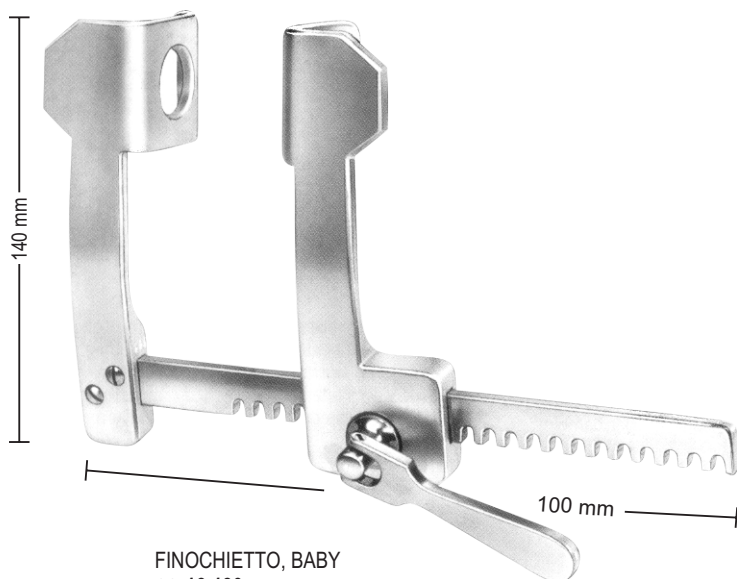
**FINOCHIETTO, INFANT**  
**SS-16-128**  
 for children, lateral blades 15X15 mm,  
 spreading 75 mm

**STAINLESS STEEL**

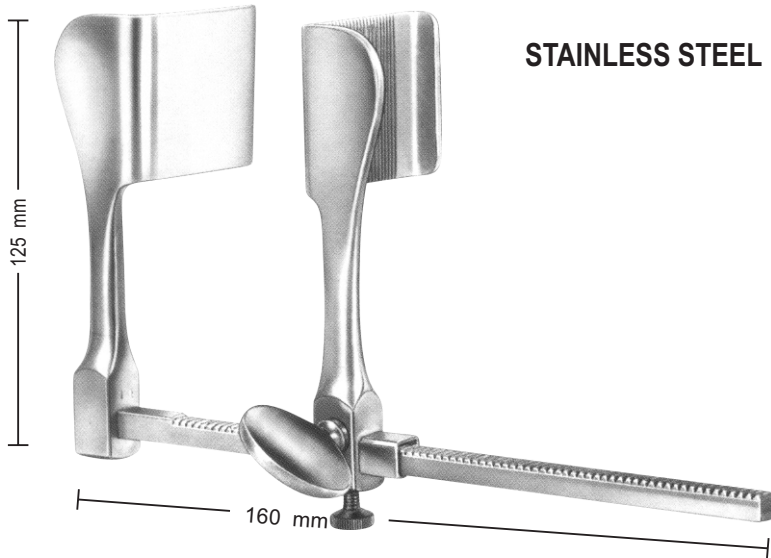


**HAIGHT**  
**SS-16-129**  
 lateral blades 30X30 mm,  
 spreading 120 mm

**ALUMINIUM**

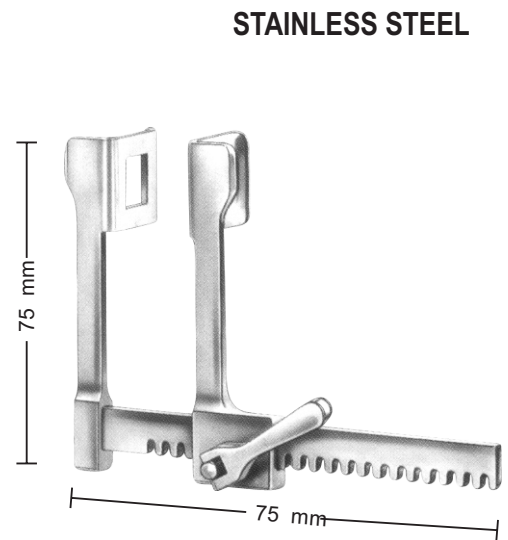


**FINOCHIETTO, BABY**  
**SS-16-130**  
 for children, lateral blades 31X31 mm,  
 spreading 100 mm



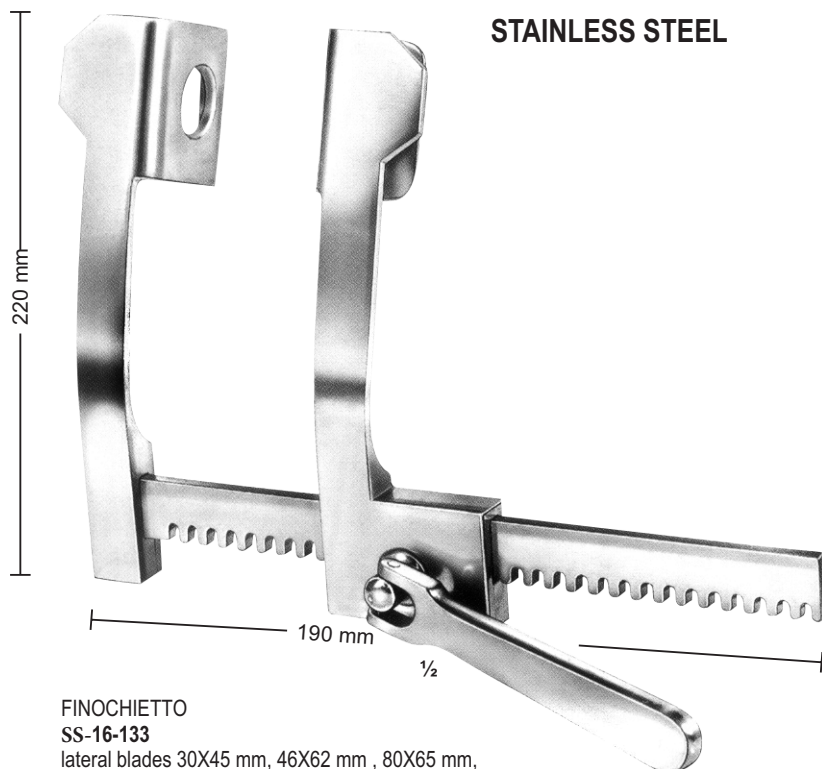
STAINLESS STEEL

TUFFIER  
SS-16-1  
lateral blades 45X45 mm,  
spreading 160 mm



STAINLESS STEEL

FINOCHIETTO, BABY  
SS-16-132  
lateral blades 14X15 mm,  
spreading 75 mm

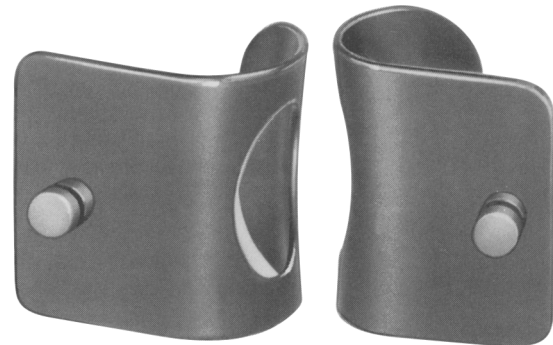


STAINLESS STEEL

FINOCHIETTO  
SS-16-133  
lateral blades 30X45 mm, 46X62 mm, 80X65 mm,  
spreading 150 mm, 190 mm, 190 mm



**SS-16-135**  
Blades  
75x75 mm

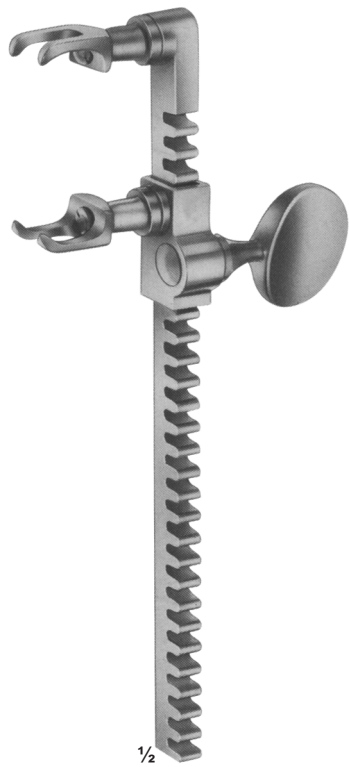


**SS-16-136**  
Blades  
42x65 mm



Blades with Ball Snap System  
Delivery: in Pairs

- SS-16-134 - SS-16-136 Thoraxsperrer**  
(Mercedes-Sperrer) complete consisting of:
- SS-16-134** Retractor only
  - SS-16-135** 1 Pair of blades 42x65 mm
  - SS-16-136** 1 Pair of blades 75x75 mm



SS-16-137  
SELLORS  
Rib spreader and contractor  
with swivel blades  
200 mm



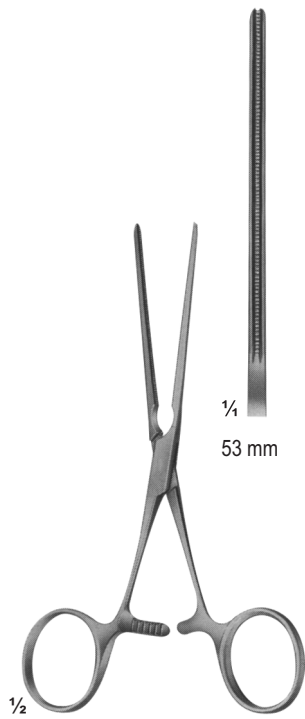
SS-16-138  
BAILEY  
150 mm



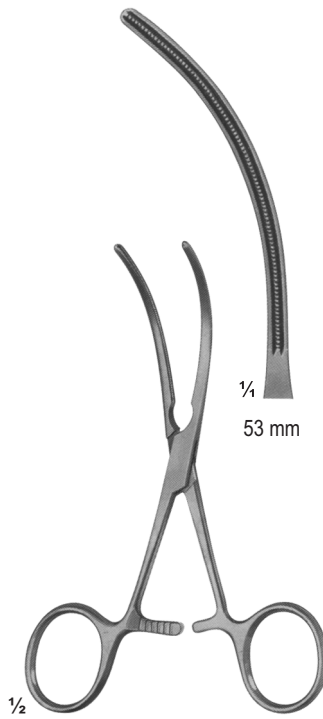
SS-16-139  
for children

SS-16-140  
for children

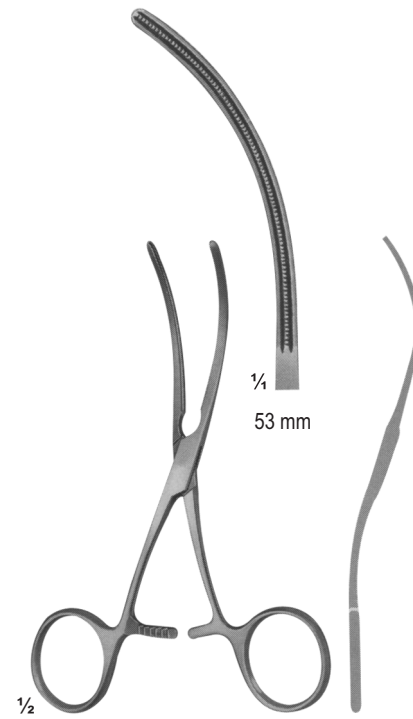
SS-16-139 -  
SS-16-141 BAILEY  
200 mm



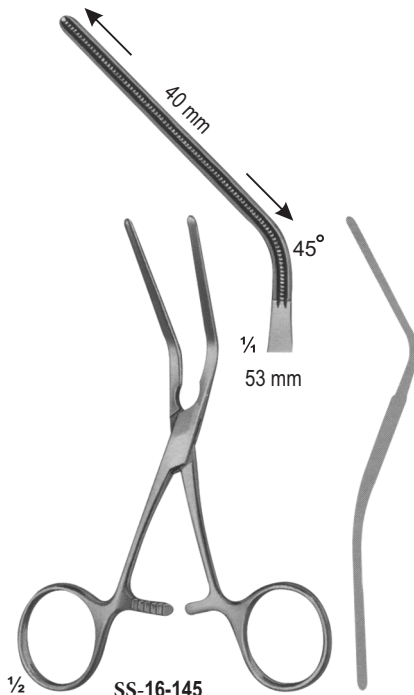
**SS-16-142**  
DE-BAKEY  
gerade straight  
130 mm



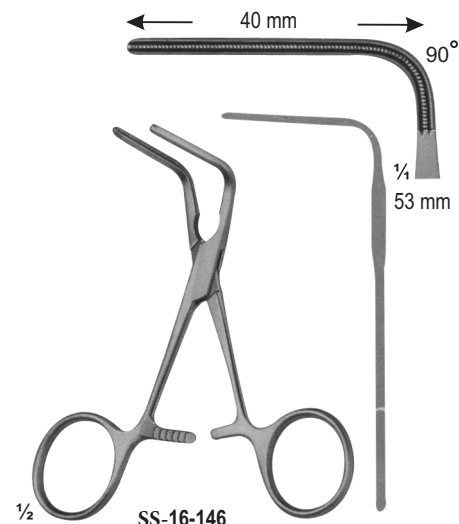
**SS-16-143**  
DE-BAKEY  
Maul gebogen  
curved jaws  
125 mm



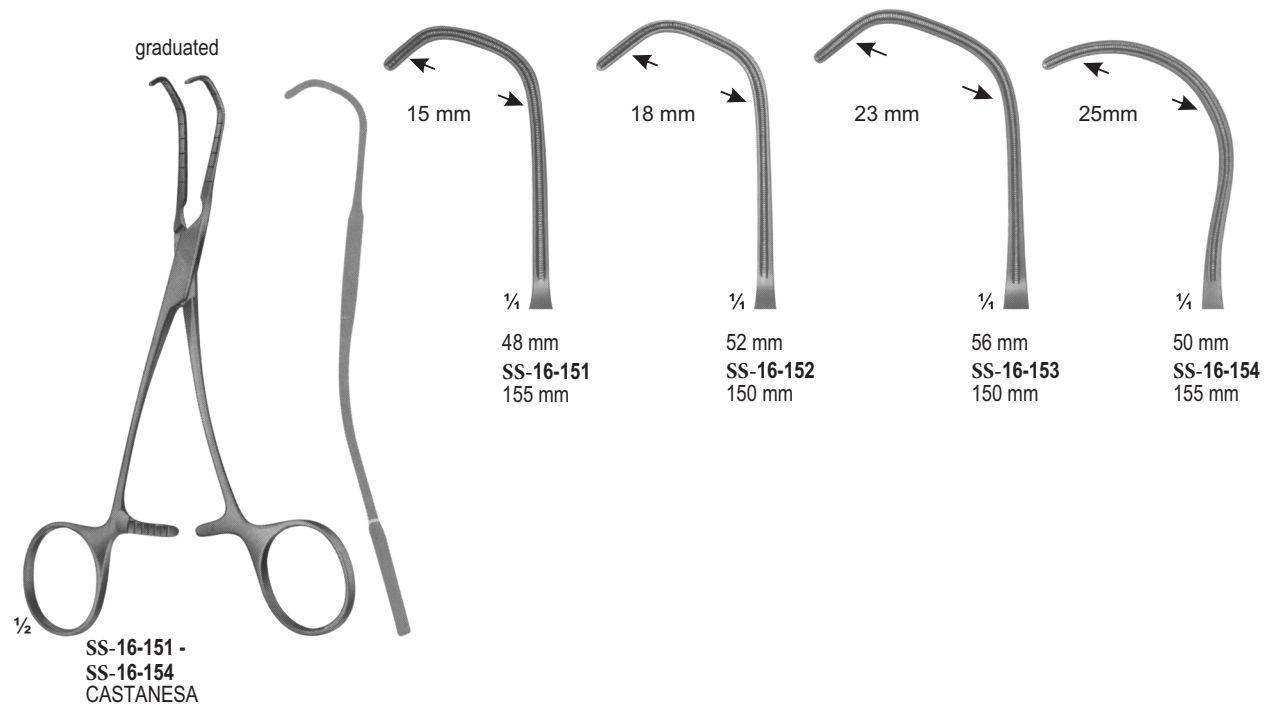
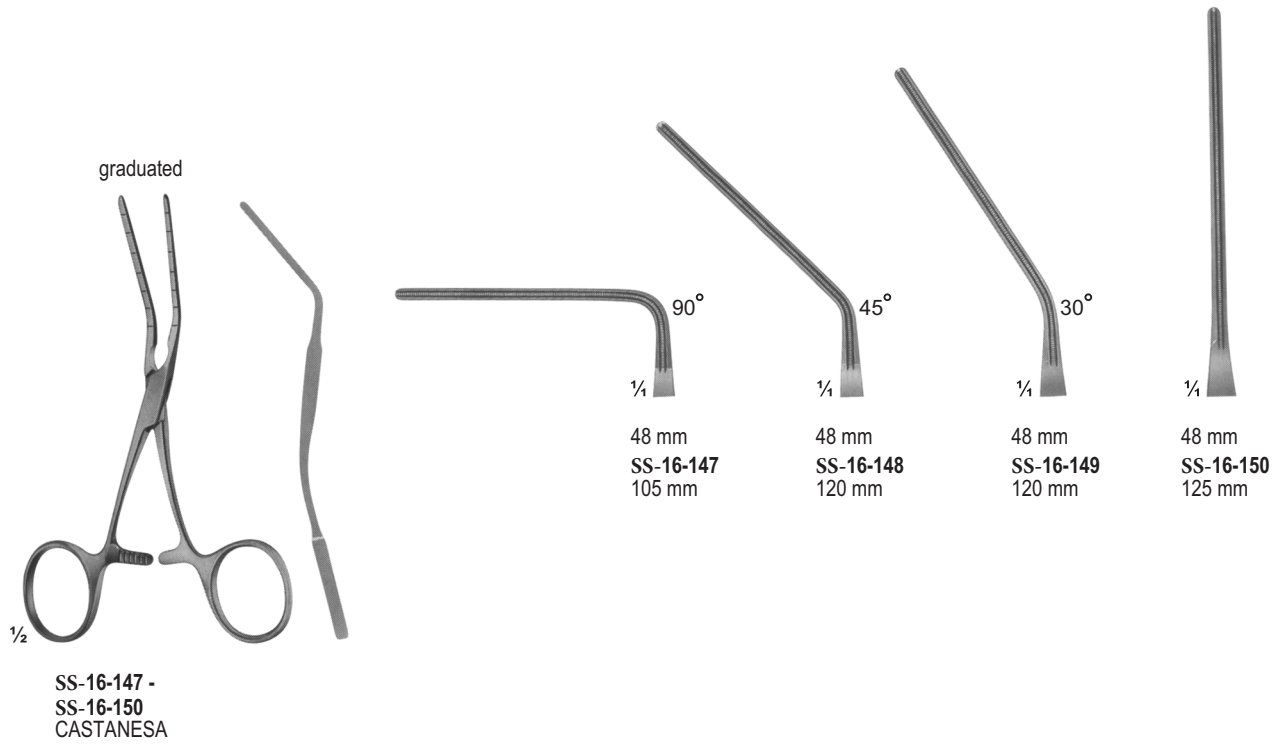
**SS-16-144**  
DE-BAKEY  
S-shaped curved  
125 mm

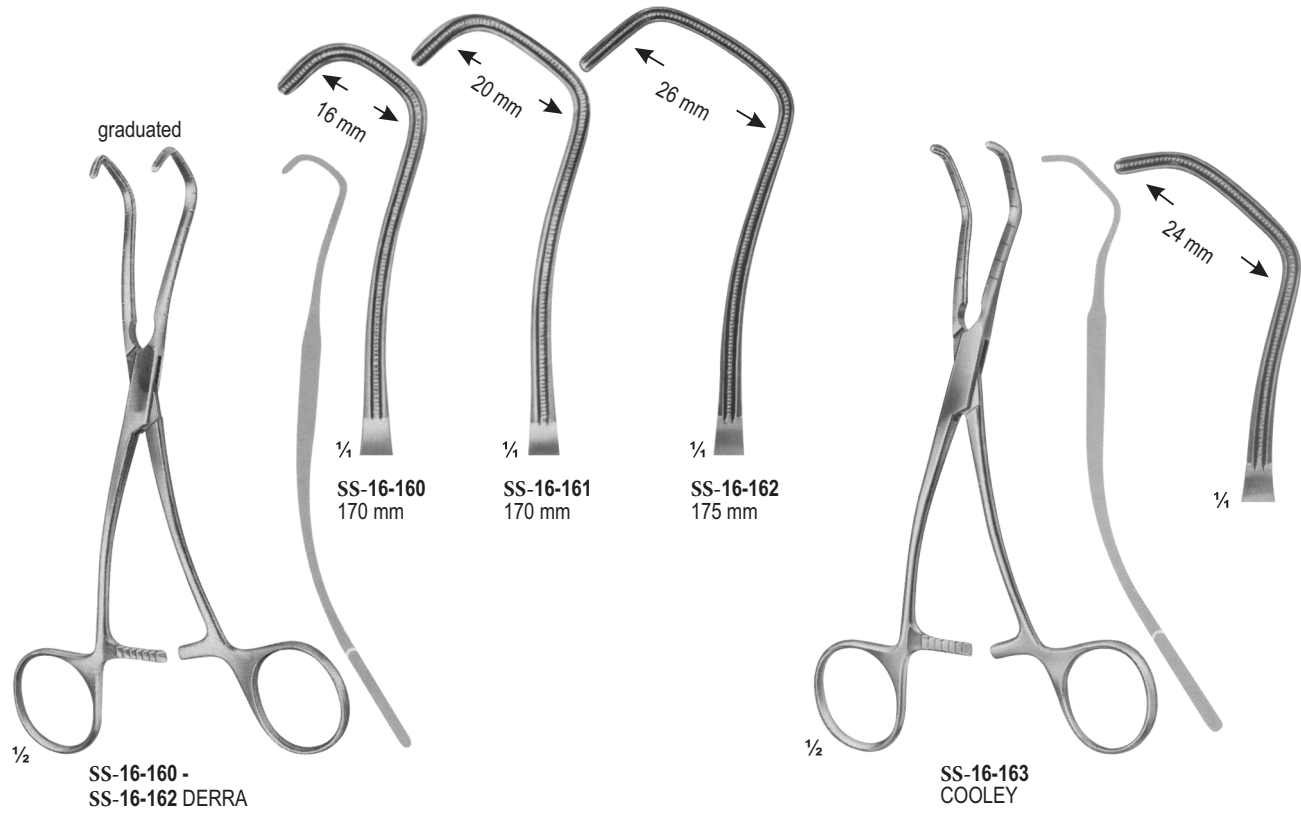
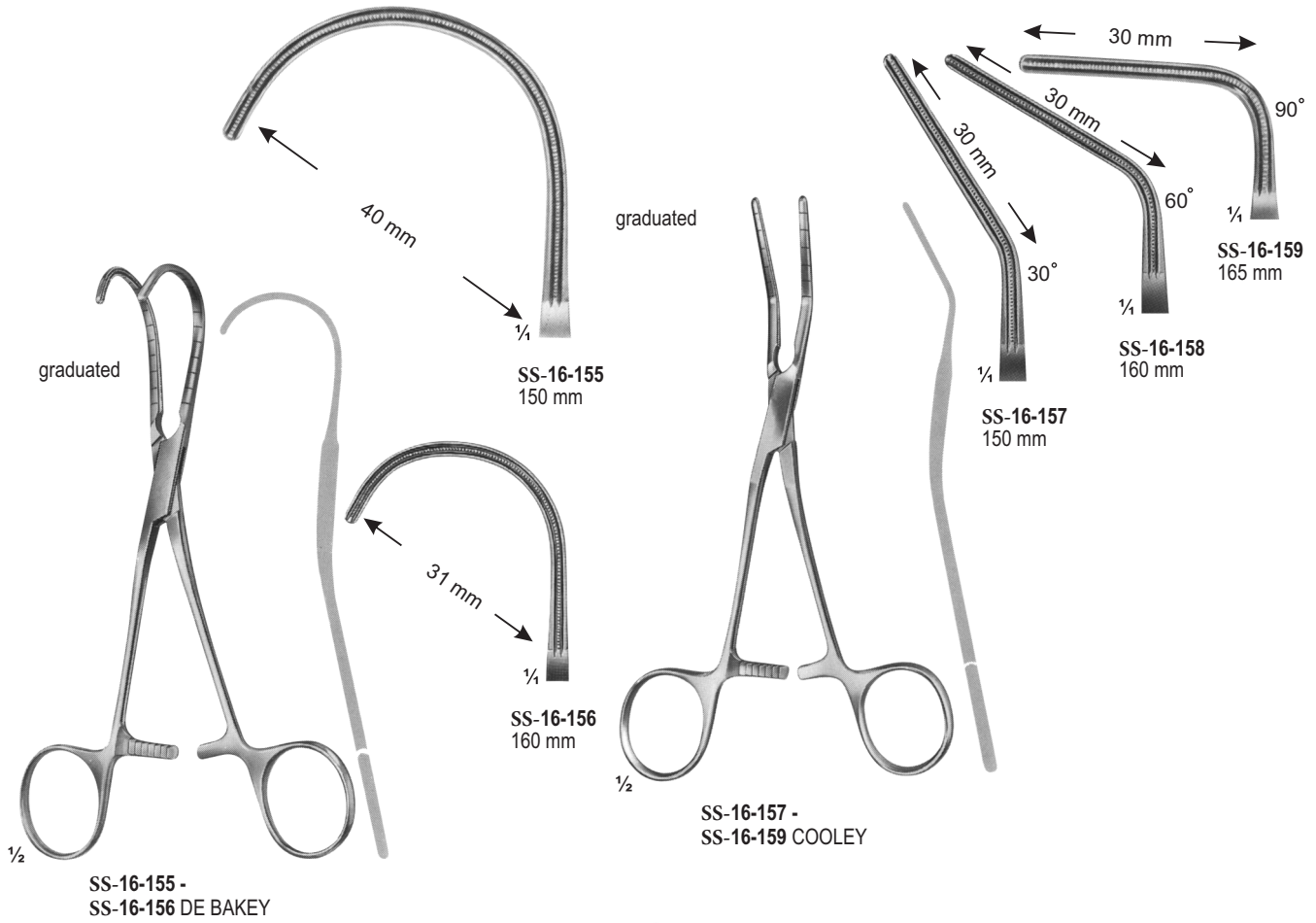


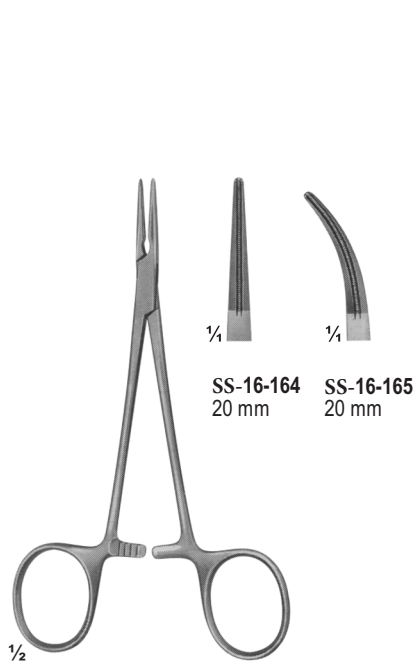
**SS-16-145**  
DE-BAKEY  
45° winklig gebogen  
angled 45°  
125 mm



**SS-16-146**  
DE-BAKEY  
90° winklig gebogen  
angled 90°  
105 mm







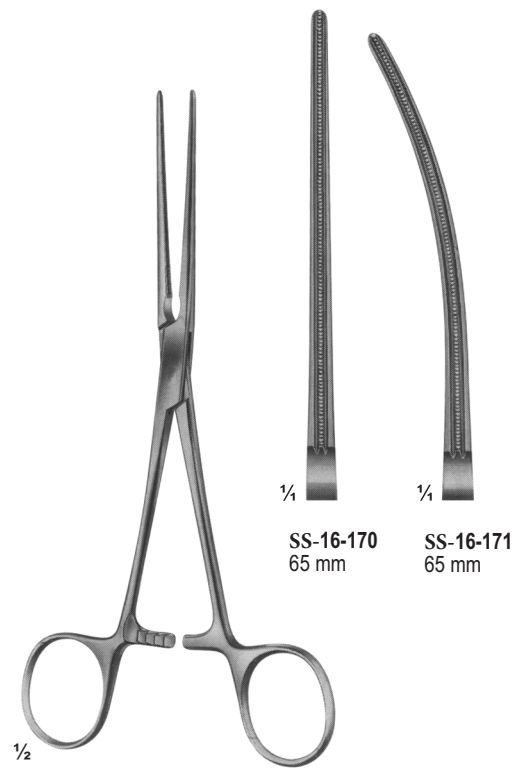
SS-16-164 -  
SS-16-165 HALSTED  
125 mm



SS-16-166 -  
SS-16-167 RANKIN  
165 mm

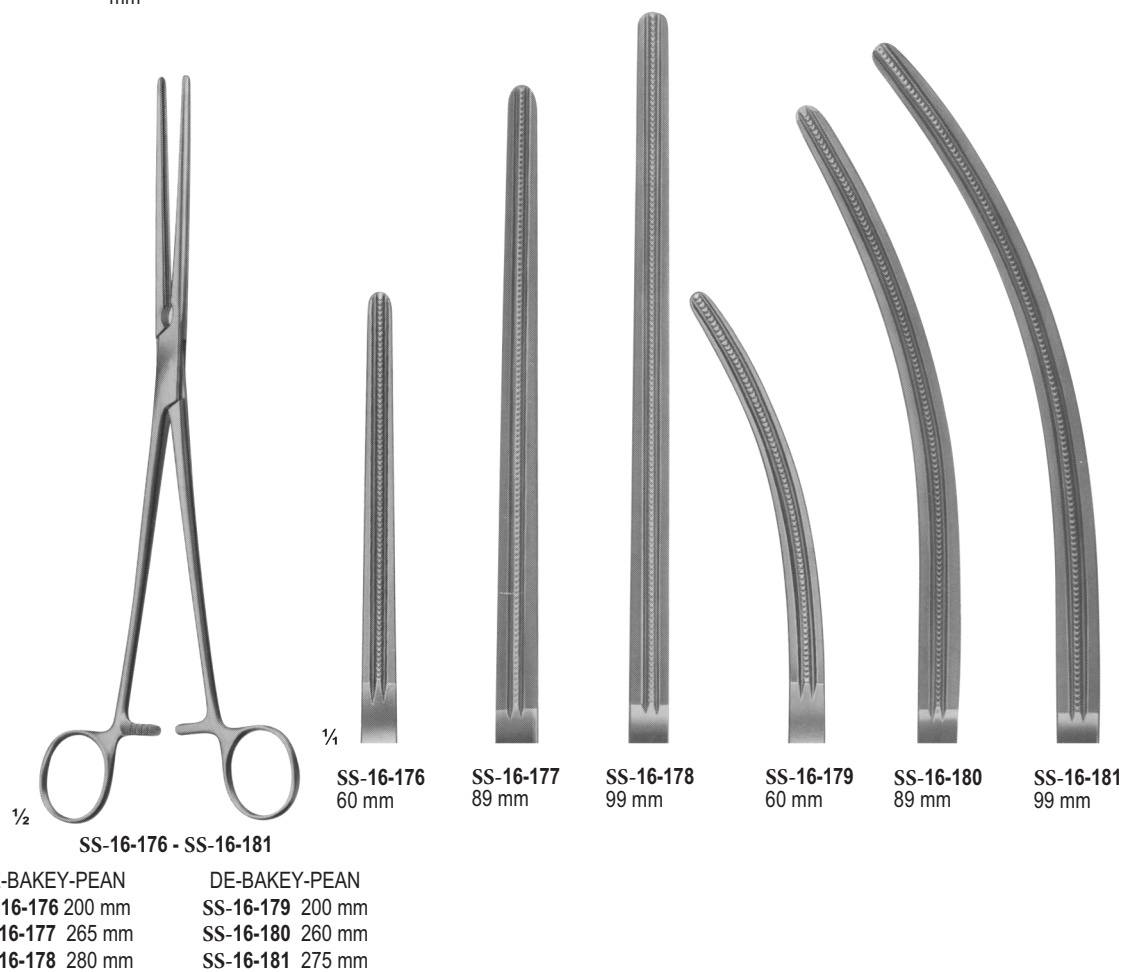
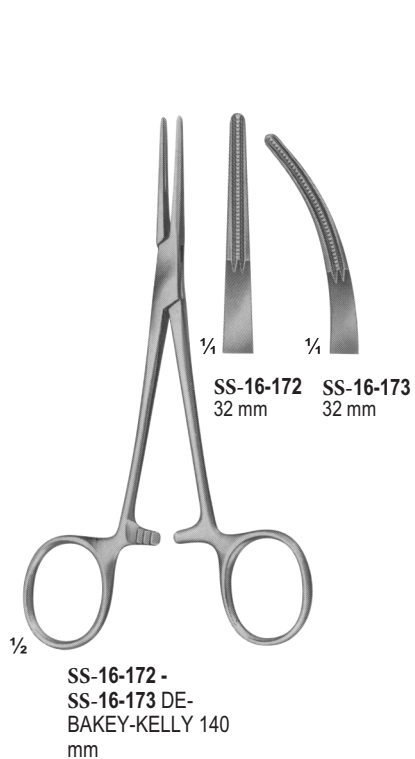


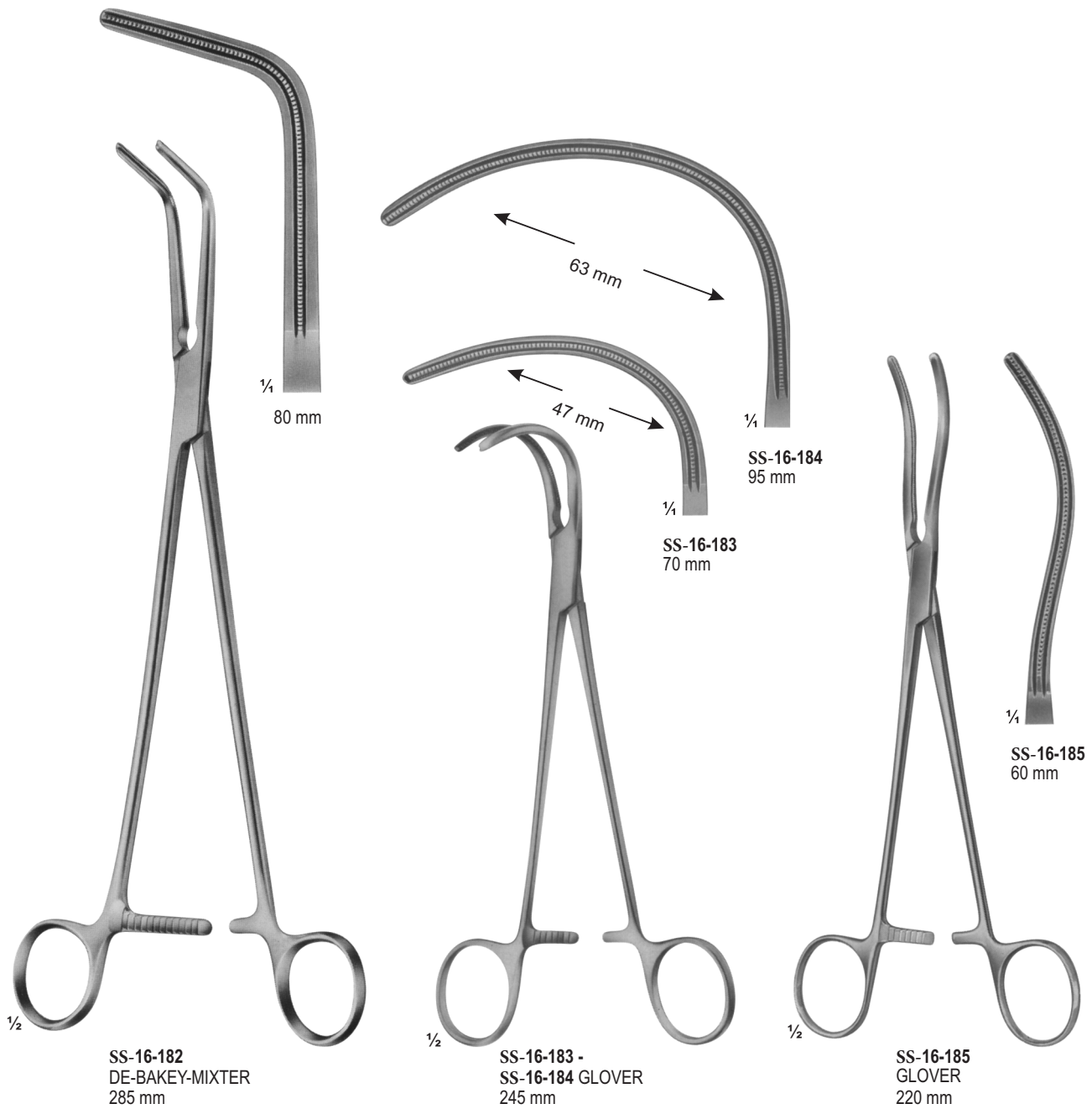
SS-16-168 -  
SS-16-169 DE BAKEY-  
BAINRIDGE 155 mm

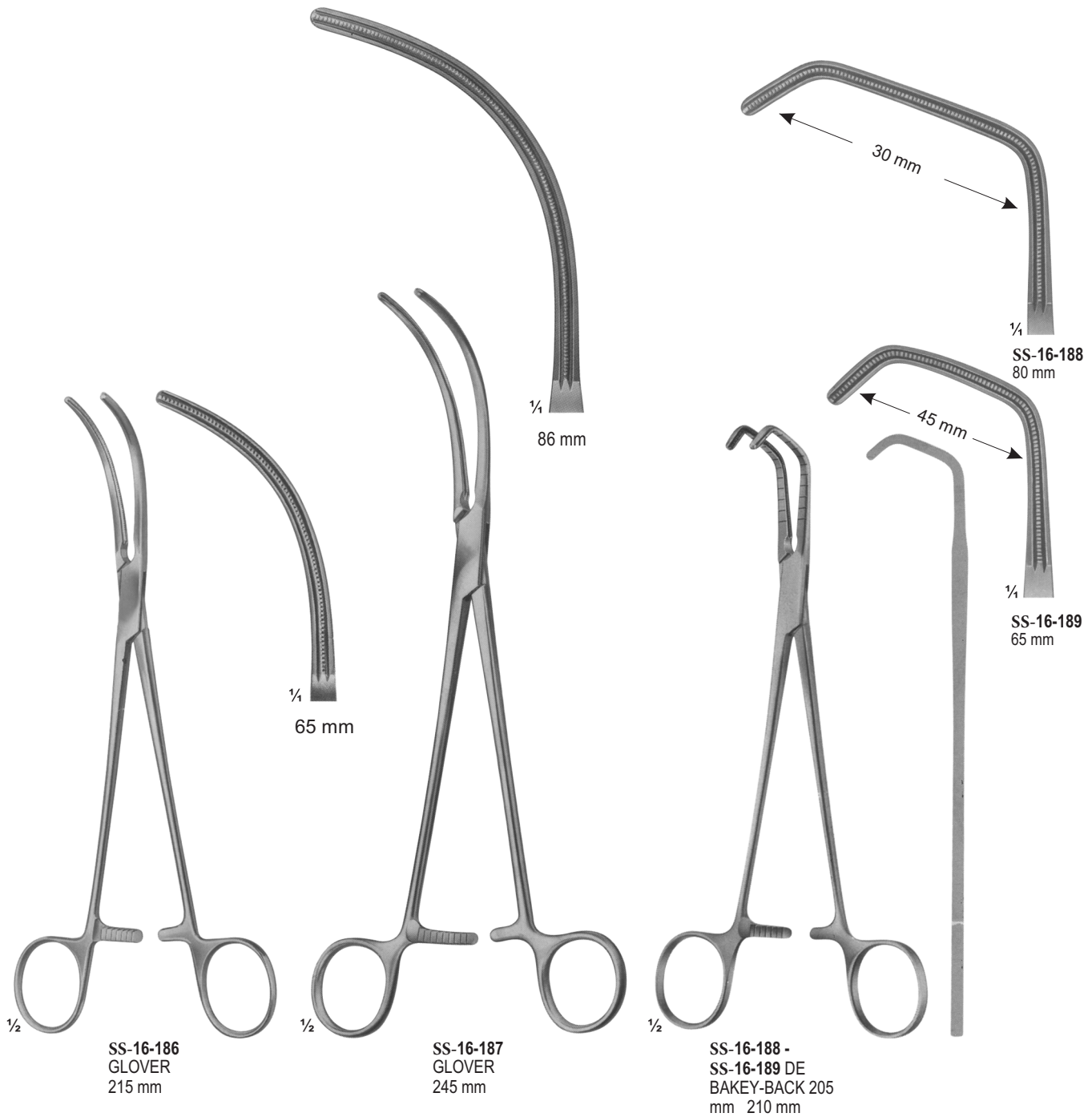


SS-16-170 -  
SS-16-171 DE BAKEY-  
BAINRIDGE 180 mm



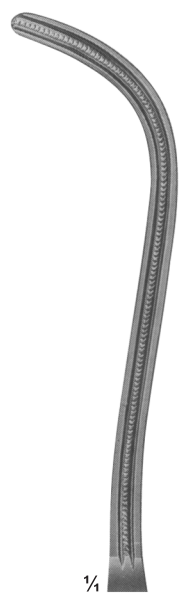




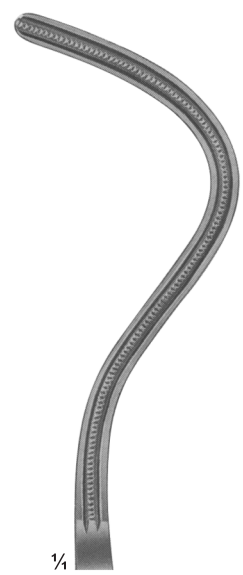




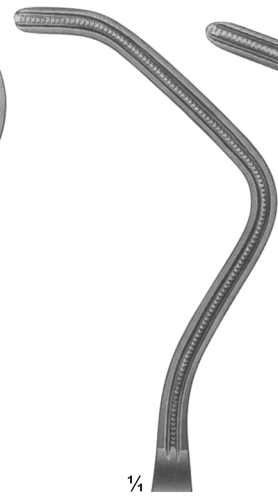
1/2



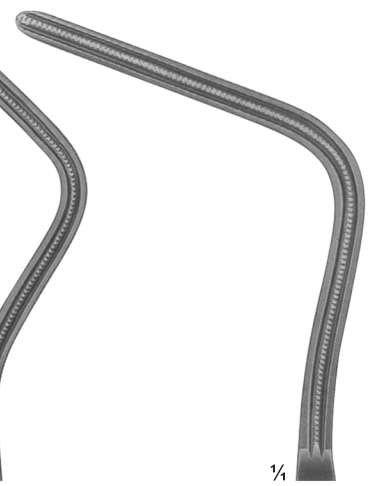
1/4  
SS-16-190  
86 mm



1/4  
SS-16-191  
86 mm



1/4  
SS-16-192  
86 mm



1/4  
SS-16-193  
86 mm

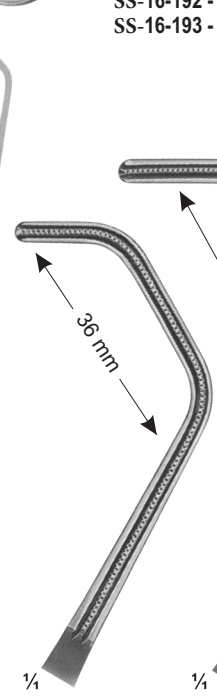
SS-16-190 -  
SS-16-193 DE  
BAKEY-HARKEN  
SS-16-190 - 255 mm  
SS-16-191 - 245 mm  
SS-16-192 - 245 mm  
SS-16-193 - 245 mm



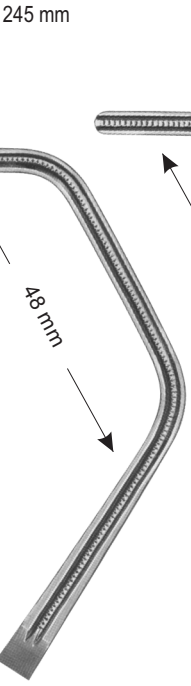
1/2

SS-16-194 - SS-16-198  
DE BAKEY

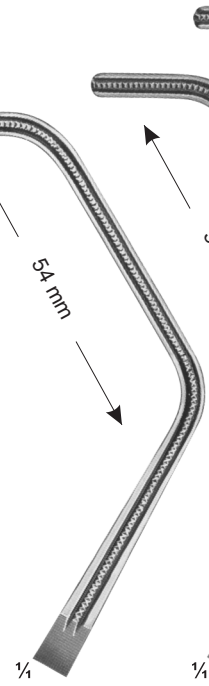
Total Length:  
Length of jaws:



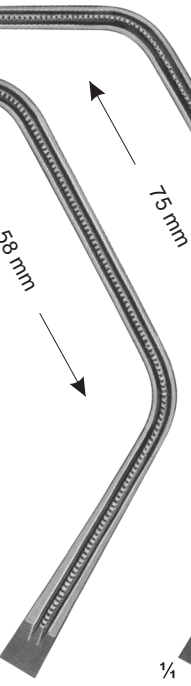
1/4  
SS-16-194  
36 mm  
4 220 mm  
85 mm



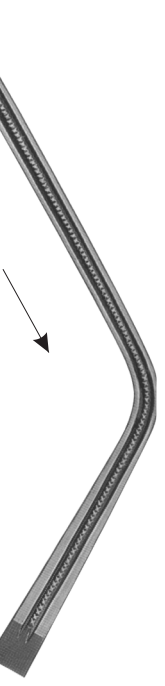
1/4  
SS-16-195  
48 mm  
256 mm  
95 mm



1/4  
SS-16-196  
54 mm  
270 mm  
99 mm



1/4  
SS-16-197  
58 mm  
270 mm  
103 mm



1/4  
SS-16-198  
75 mm  
280 mm  
119 mm



1/2

DE-BAKEY-KELLY  
SS-16-199 -  
SS-16-200 140 mm



1/4

SS-16-199  
32 mm



1/4

SS-16-200  
32 mm



1/2

PEAN  
SS-16-201 -  
SS-16-202 155 mm



1/4

SS-16-201  
50 mm



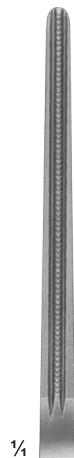
1/4

SS-16-202  
50 mm



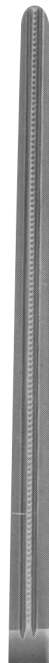
1/2

SS-16-203 - SS-16-208  
DE-BAKEY-PEAN DE-BAKEY-PEAN  
SS-16-203 200 mm SS-16-206 200 mm  
SS-16-204 265 mm SS-16-207 260 mm  
SS-16-205 280 mm SS-16-208 275 mm



1/4

SS-16-203  
60 mm



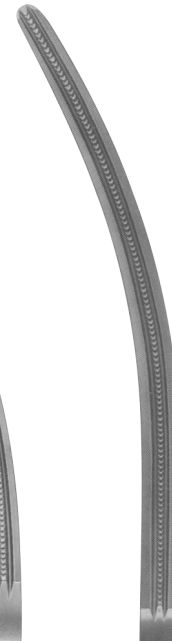
SS-16-204  
89 mm



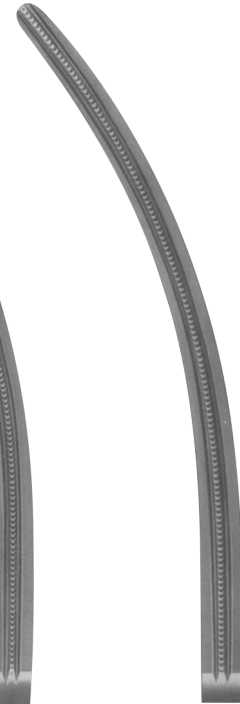
SS-16-205  
99 mm



SS-16-206  
60 mm



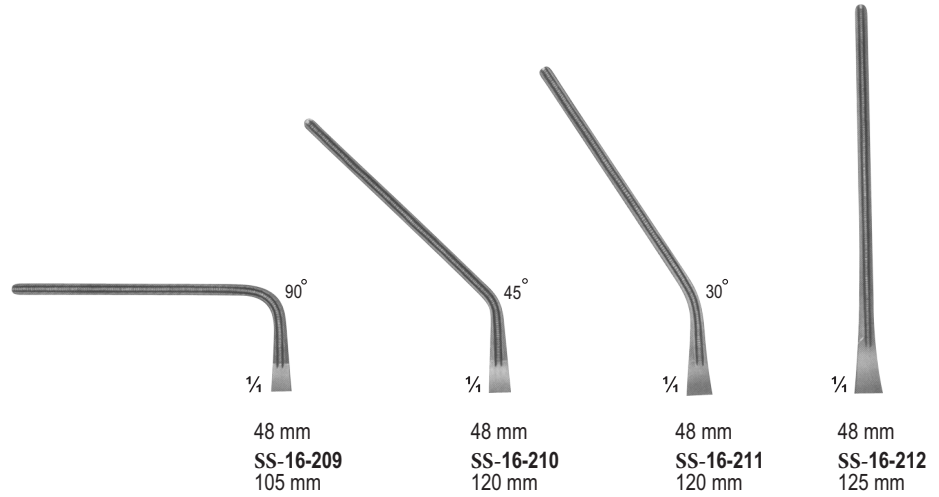
SS-16-207  
89 mm



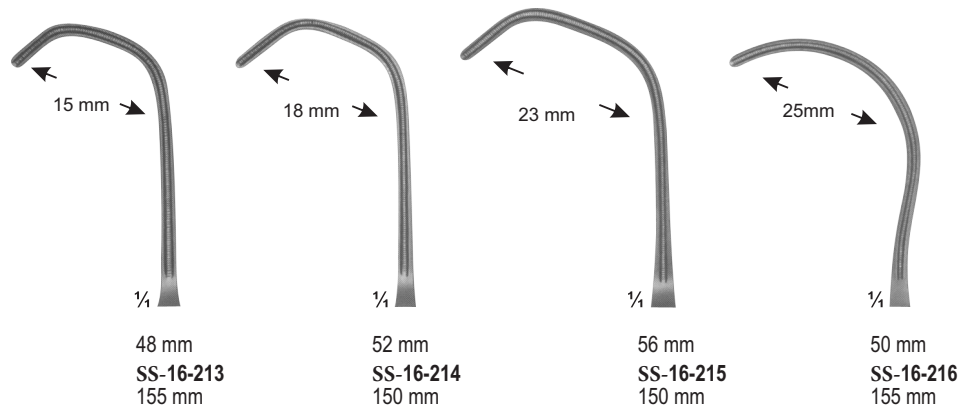
SS-16-208  
99 mm

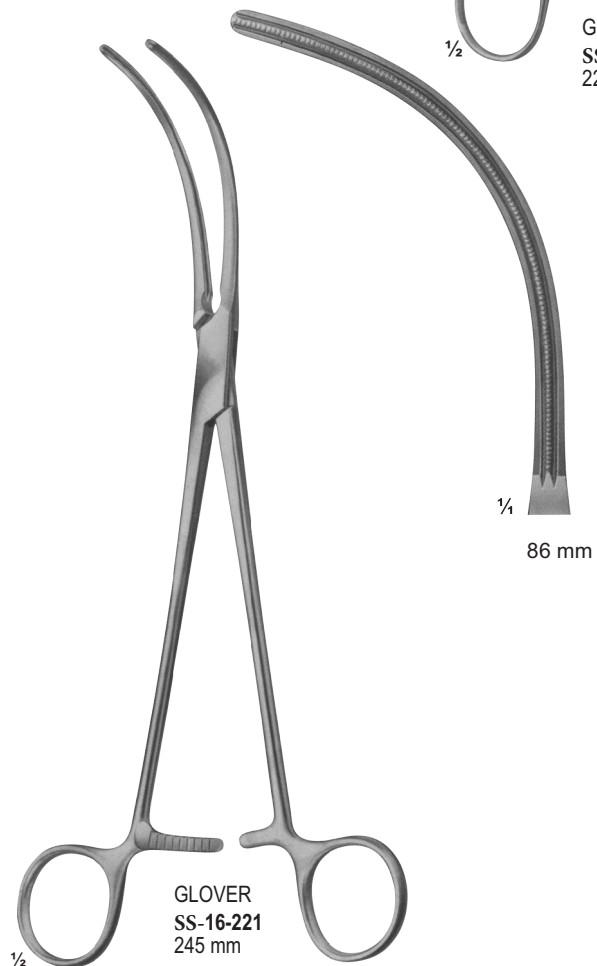
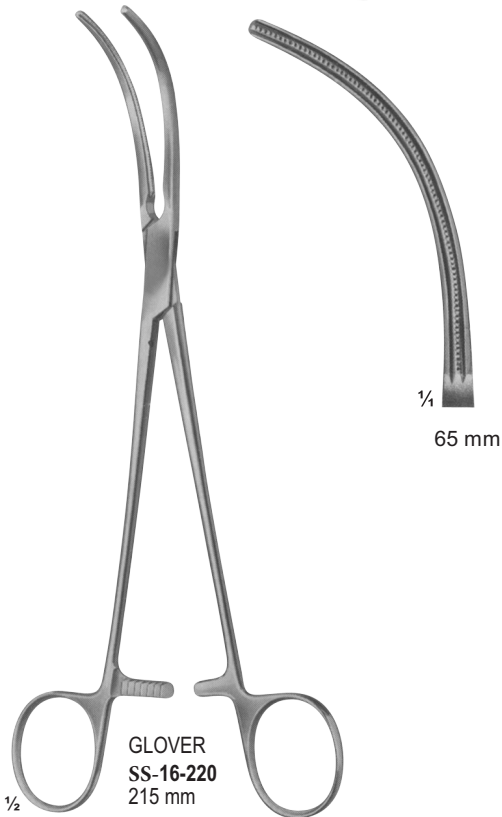
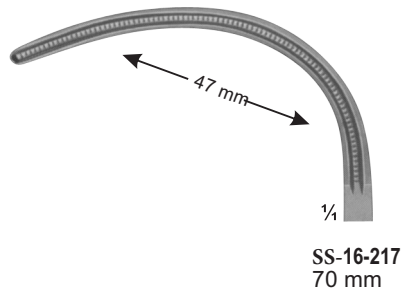
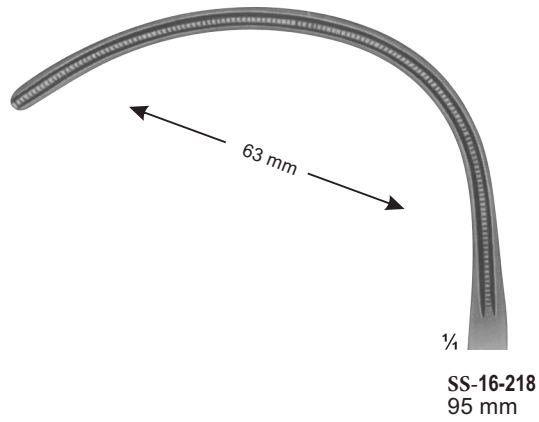


CASTANEDA  
SS-16-209 -  
SS-16-212



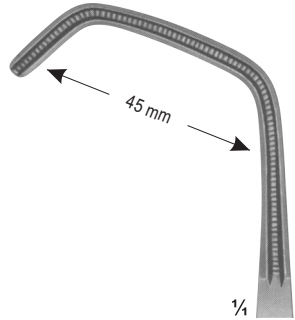
CASTANEDA  
SS-16-213 -  
SS-16-216



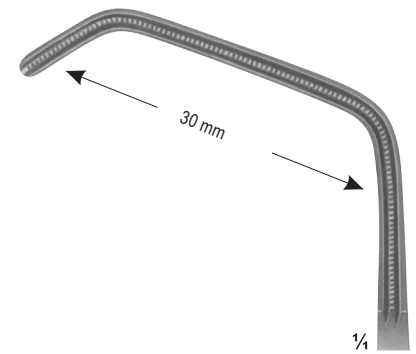




DE BAKEY-BACK  
 SS-16-222 20.5 cm  
 SS-16-223 21 cm



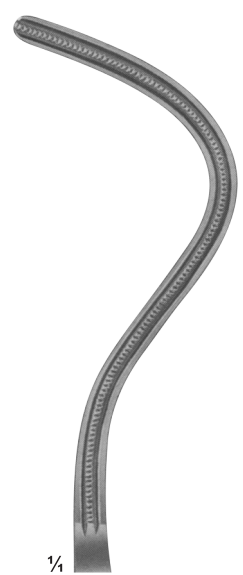
SS-16-222  
 65 mm



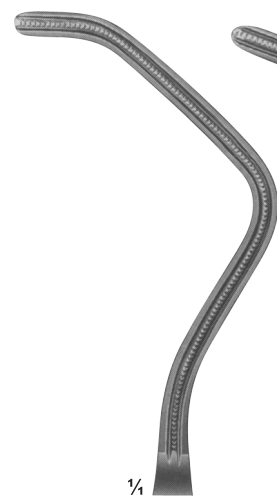
SS-16-223  
 80 mm



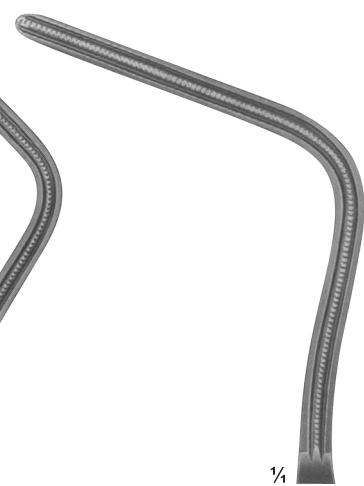
SS-16-224  
 86 mm



SS-16-225  
 86 mm



SS-16-226  
 86 mm

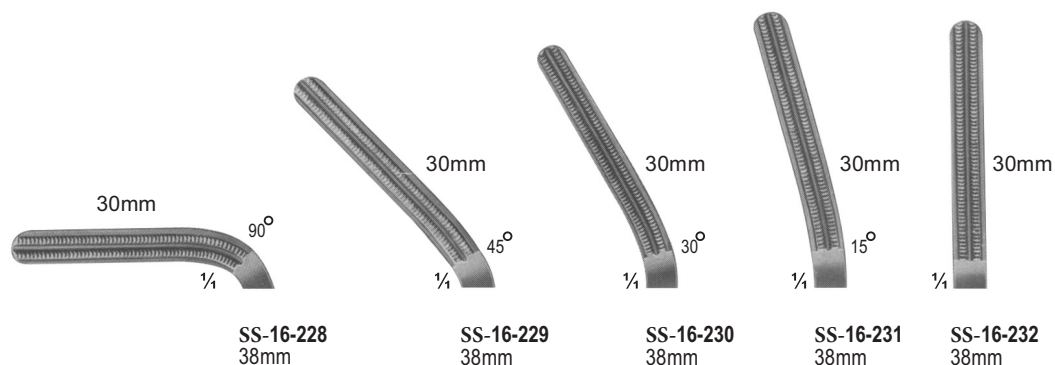


SS-16-227  
 86 mm



DE BAKEY-HARKEN  
 SS-16-224 25.5 cm  
 SS-16-225 24.5 cm  
 SS-16-226 24.5 cm  
 SS-16-227 24.5 cm





DARDIK

SS-16-228

SS-16-229 15 cm

SS-16-230 15 cm

SS-16-231 14.5 cm

SS-16-232 13 cm

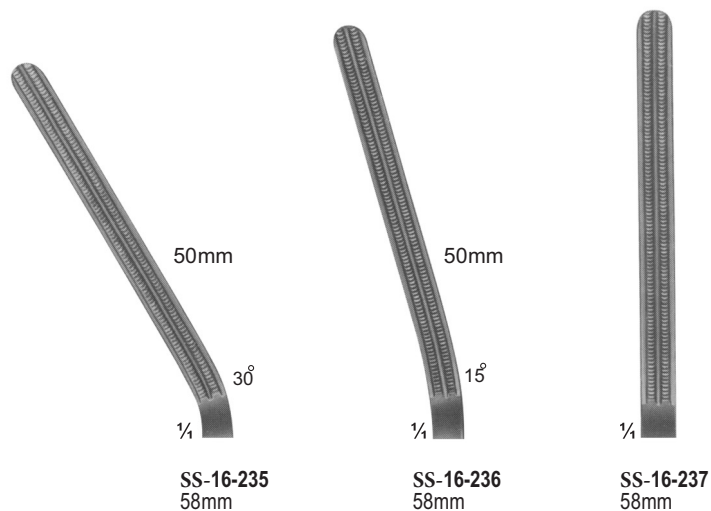
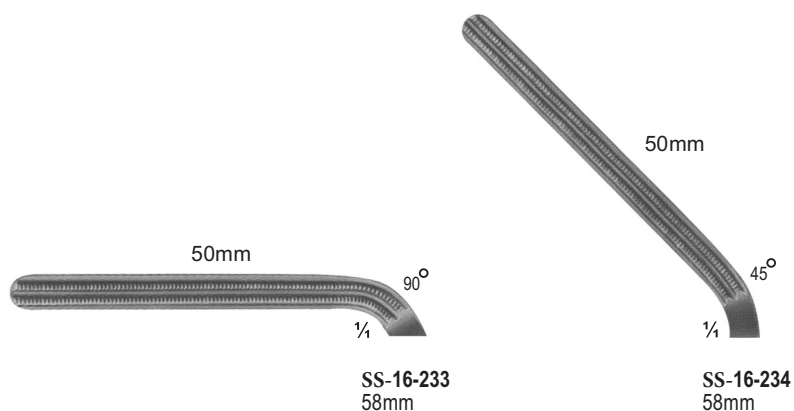
SS-16-233 17 cm

SS-16-234 17 cm

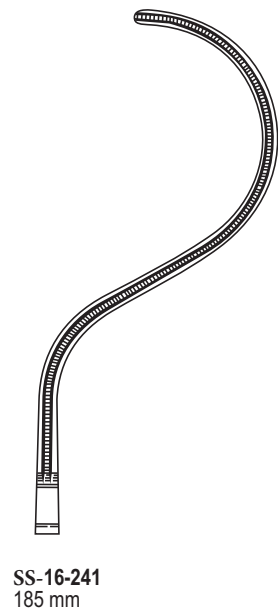
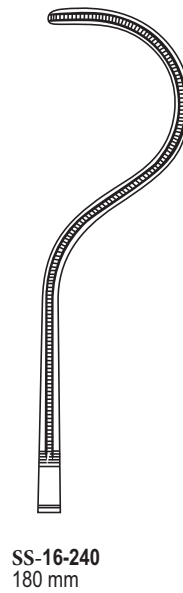
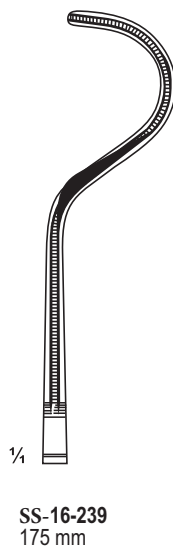
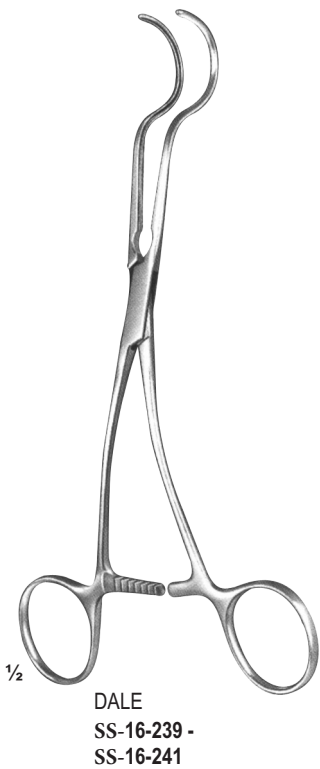
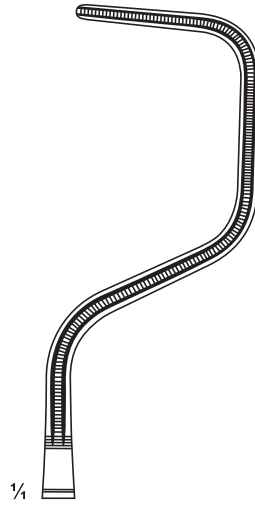
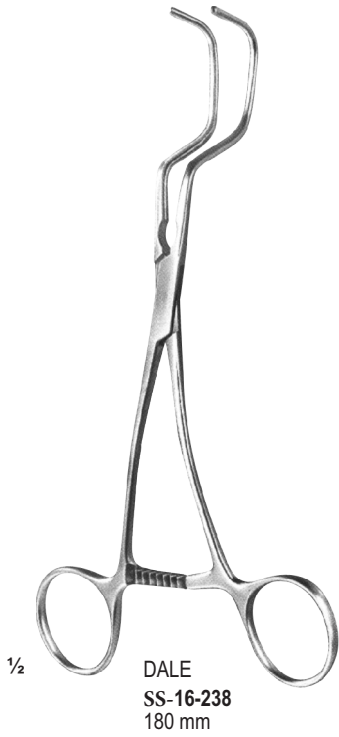
SS-16-235 17 cm

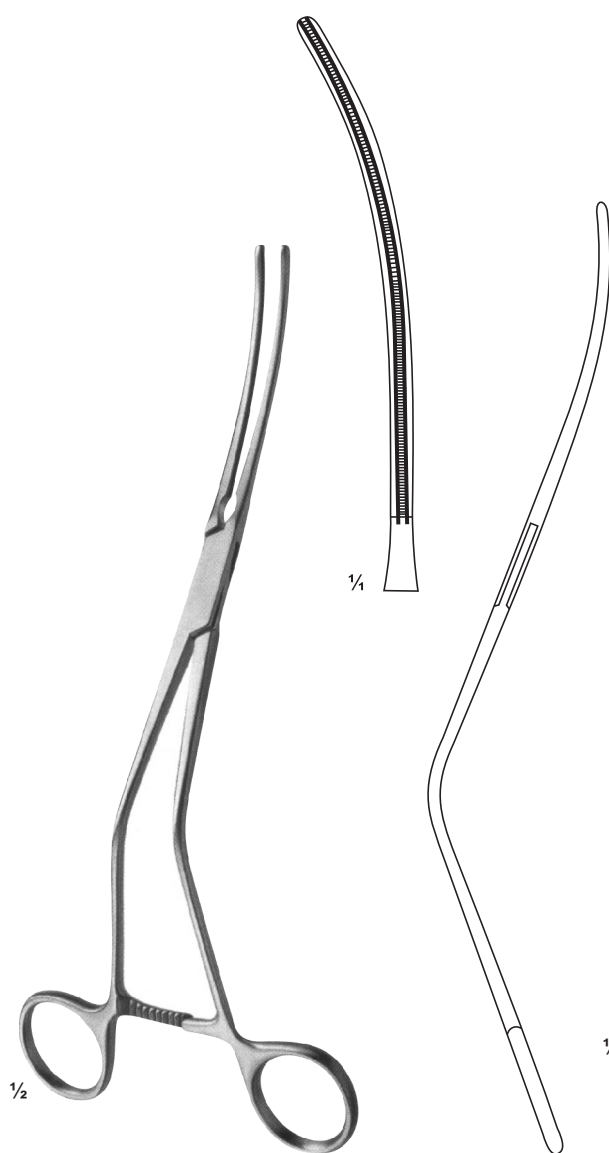
SS-16-236 16 cm

SS-16-237 13.5 cm

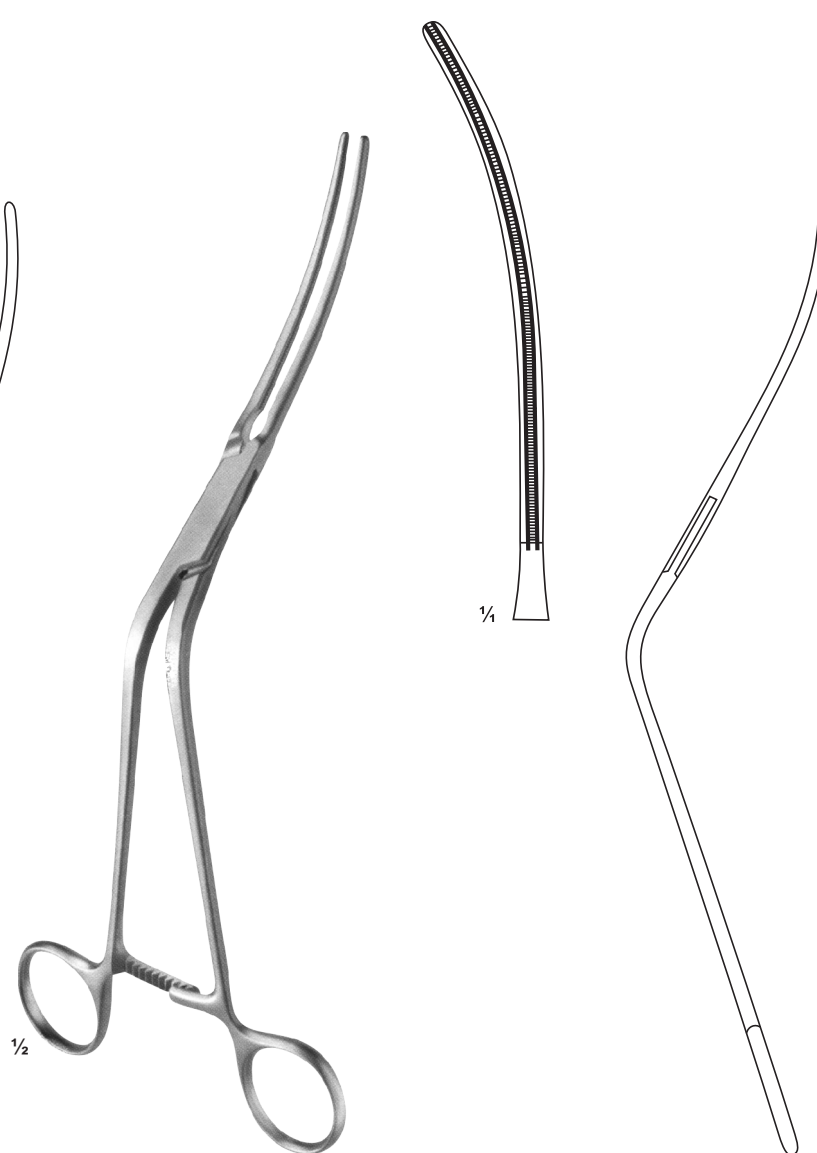


ATRAUMA

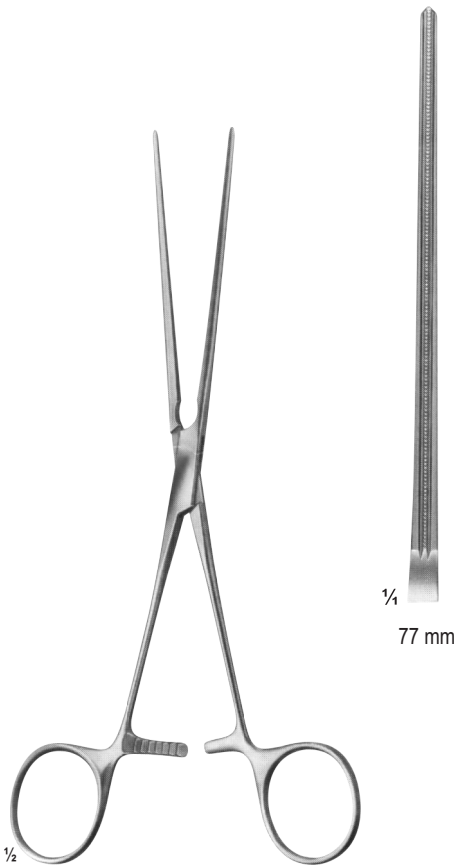




WYLIE  
SS-16-242  
240 mm



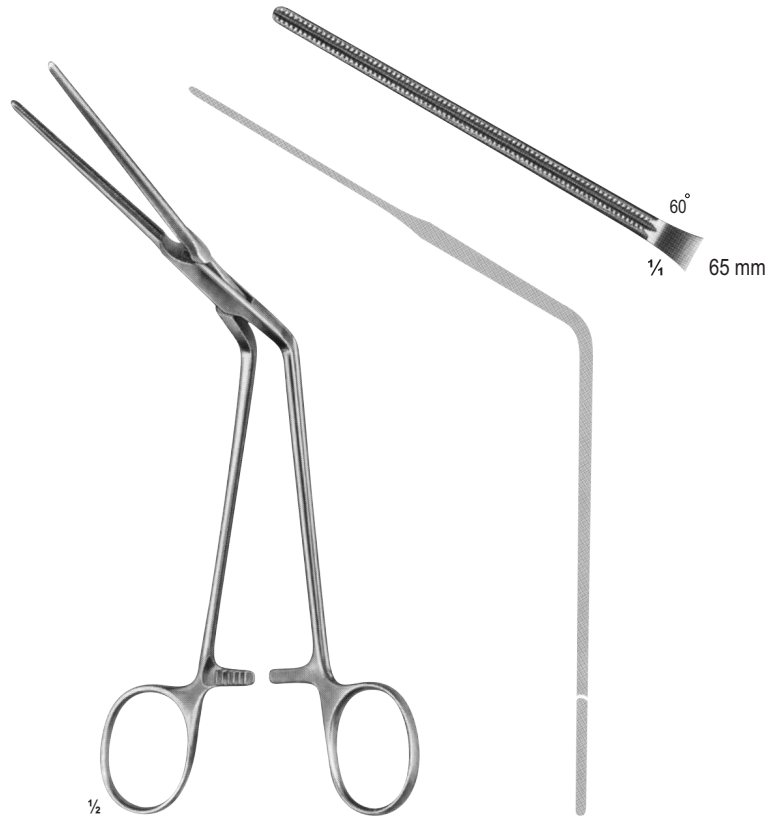
WYLIE  
SS-16-243  
270 mm



1/2

**LELAND-JONES**  
**SS-16-244**  
 195 mm

1/4  
 77 mm



1/2

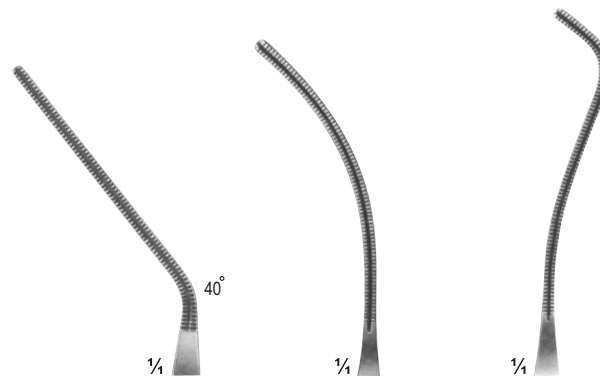
**DE BAKEY**  
**SS-16-245**  
 200 mm Liliac Clamp

60°  
 1/4 65 mm



1/2

**COOLEY**  
**SS-16-246** 120 mm  
**SS-16-247** 125 mm  
**SS-16-248** 125 mm

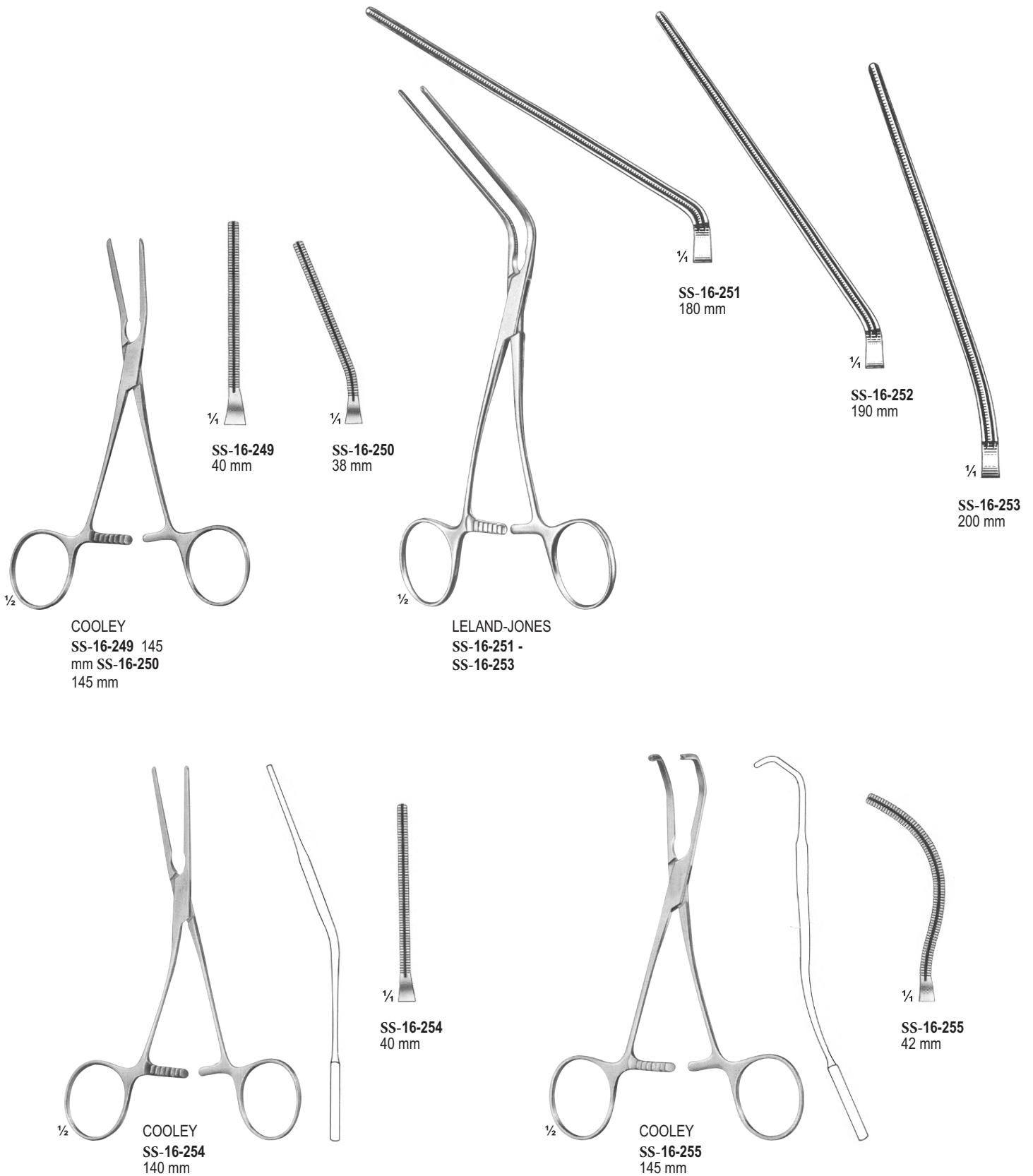


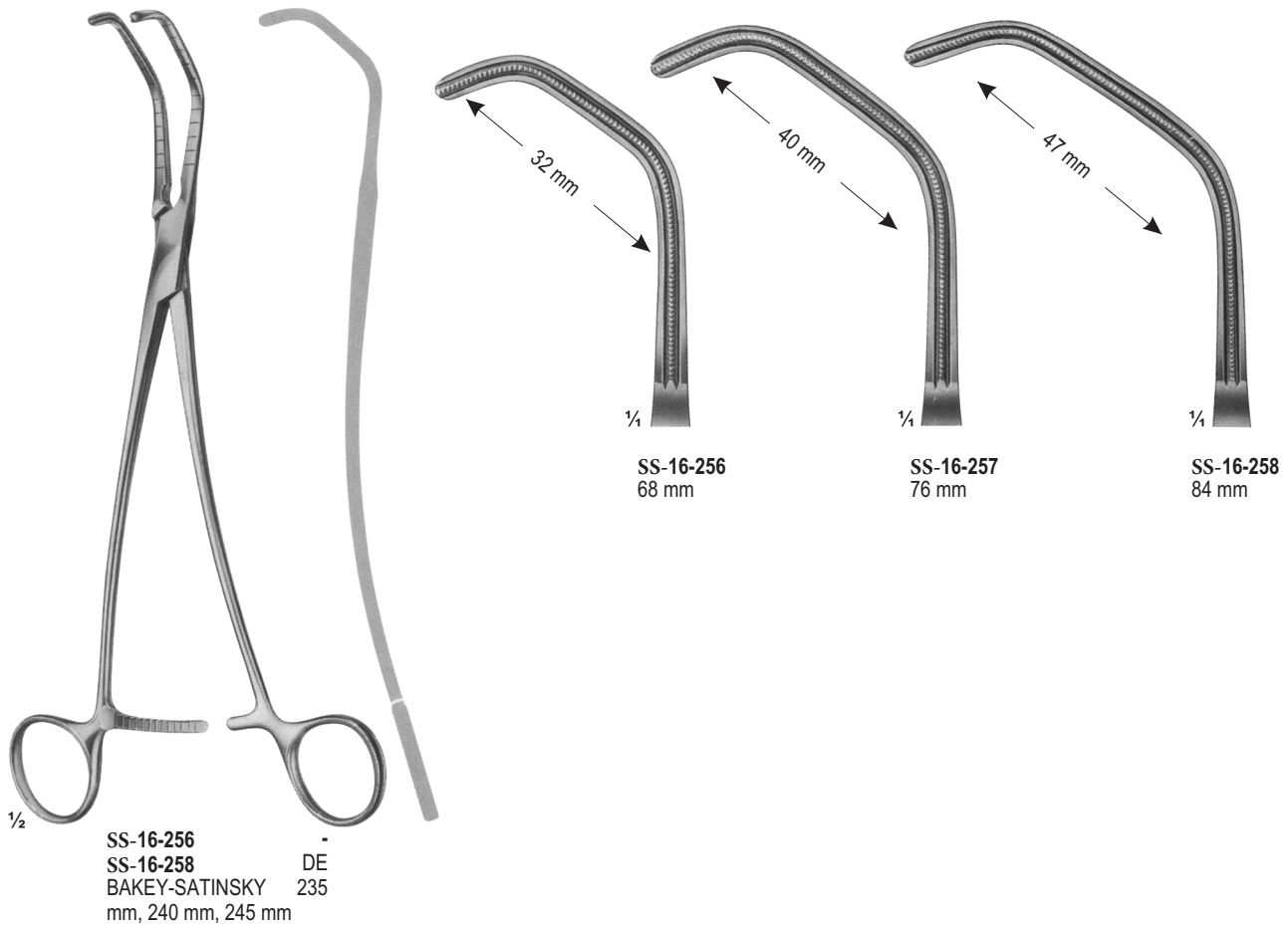
1/4  
**SS-16-246**  
 50 mm

1/4  
**SS-16-247**  
 50 mm

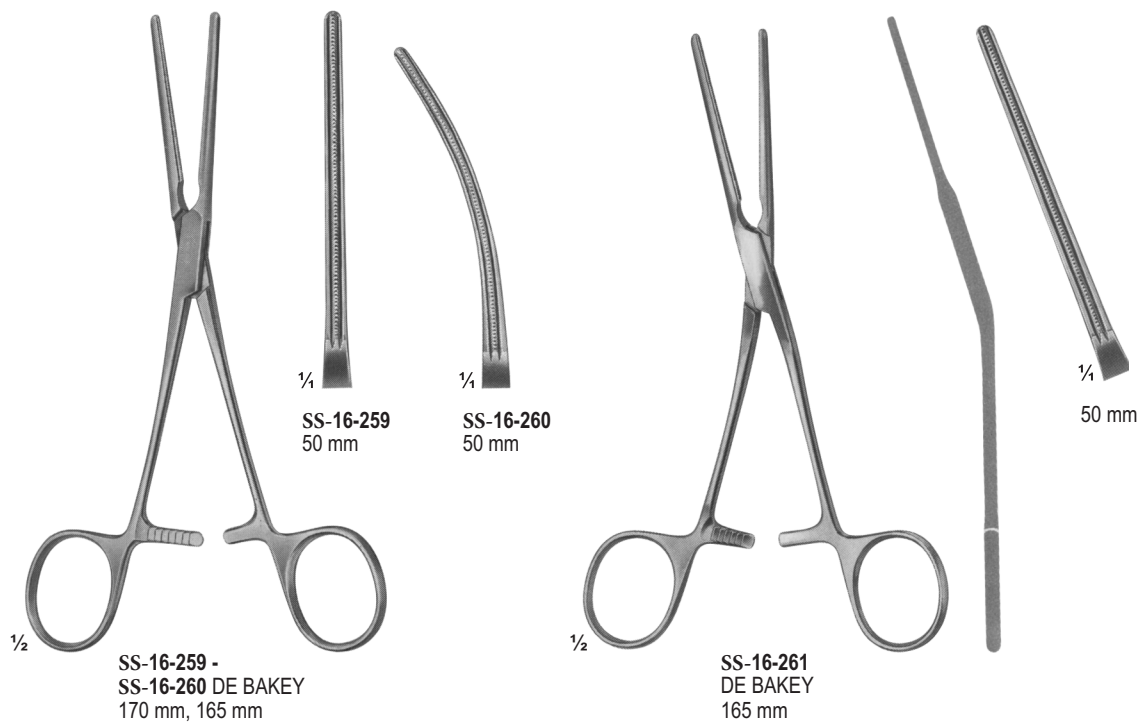
1/4  
**SS-16-248**  
 52 mm

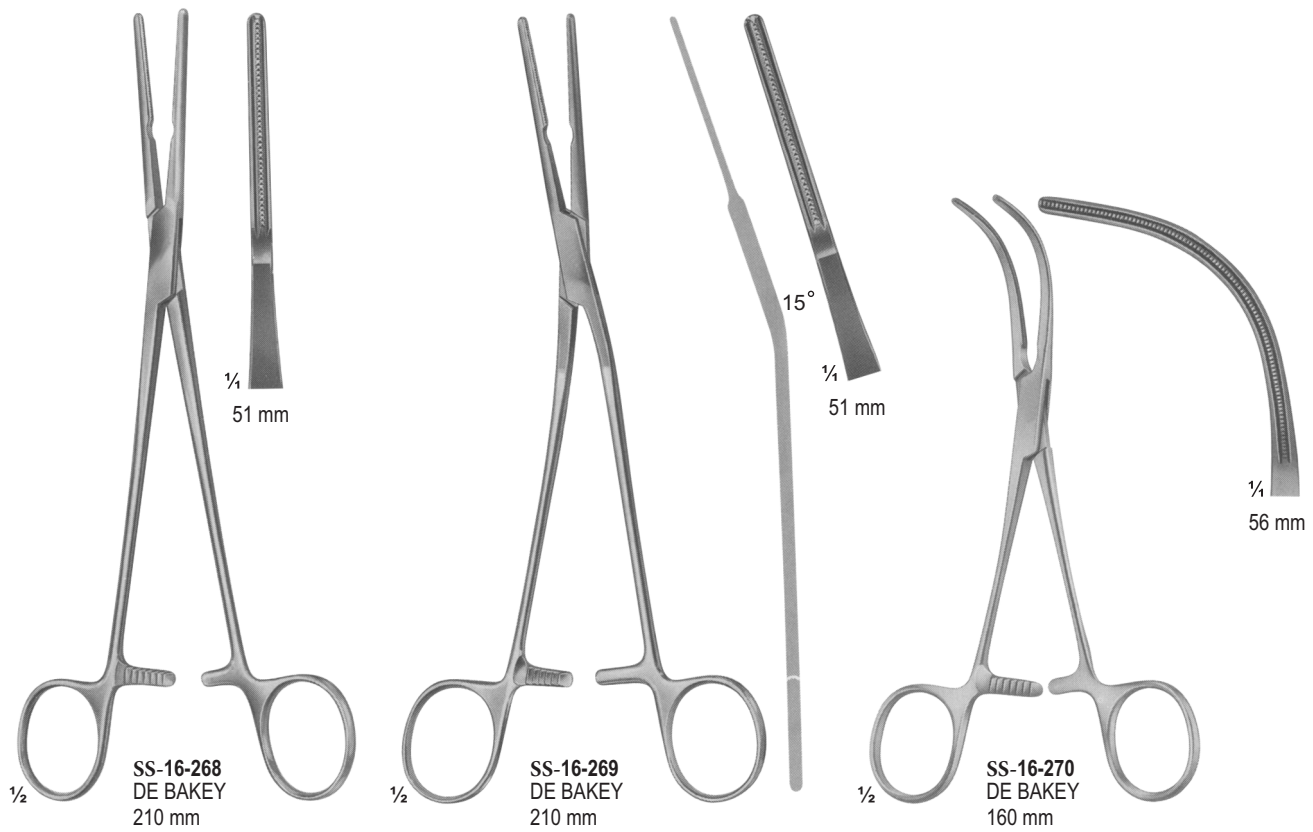
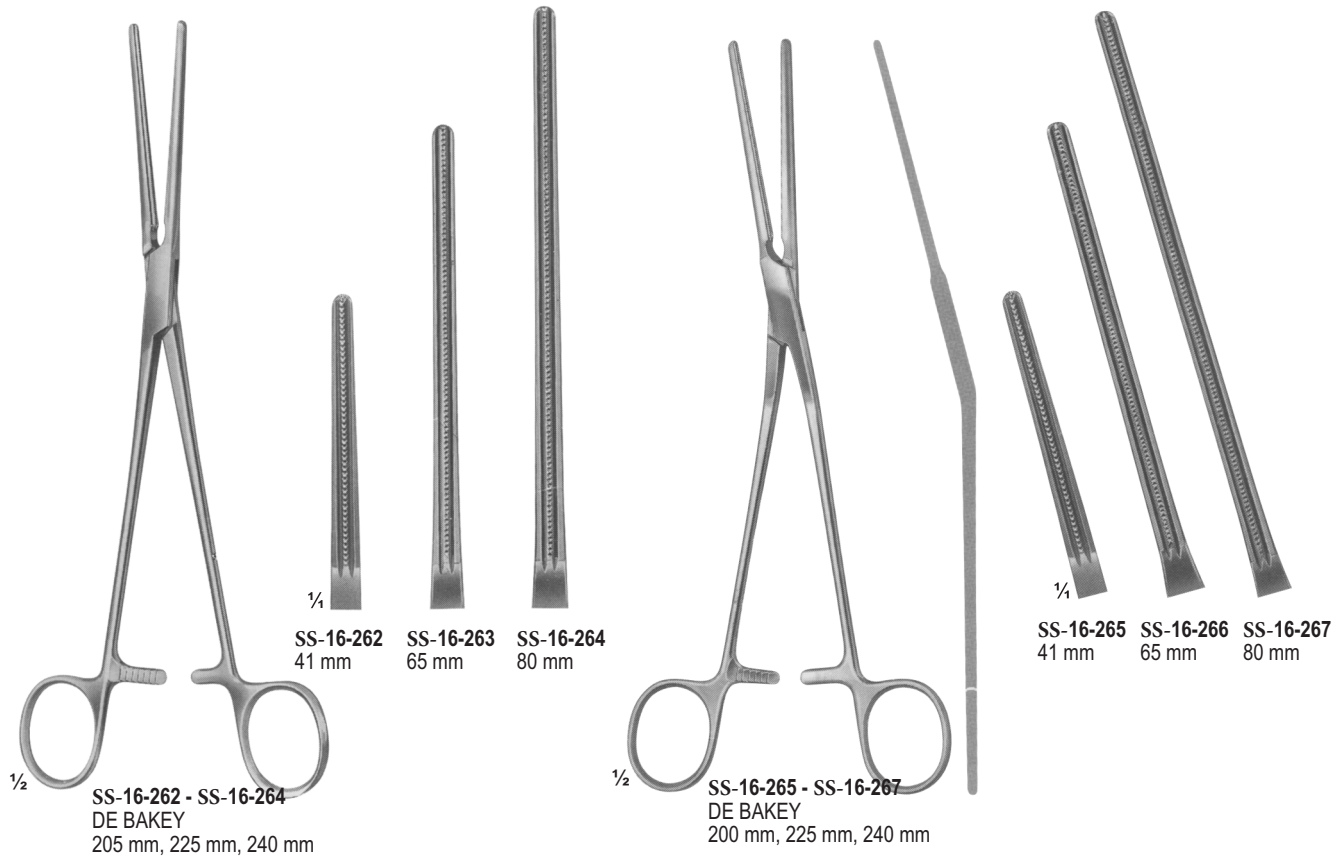
ANEURYSM CLAMPS

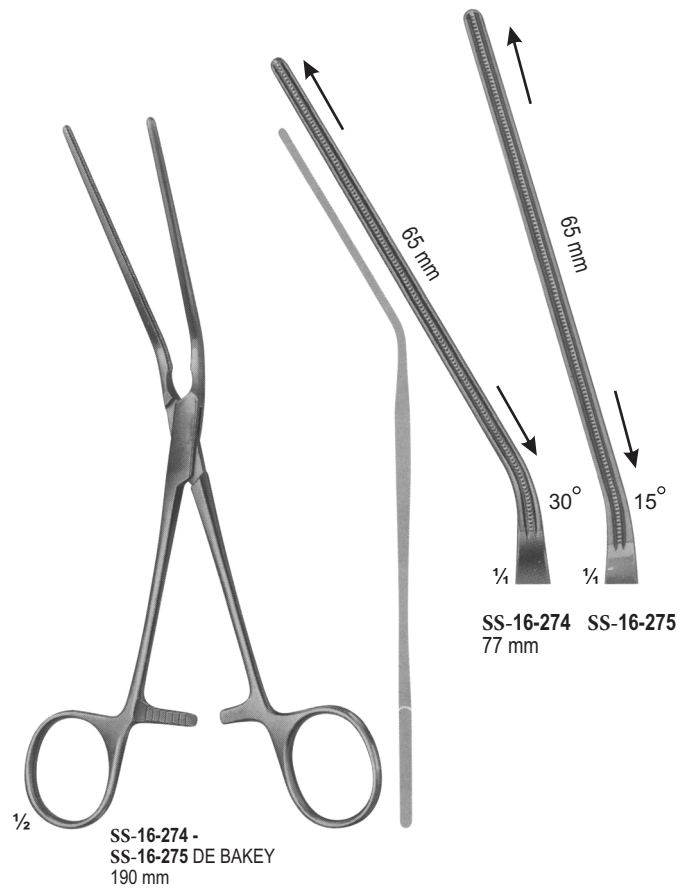
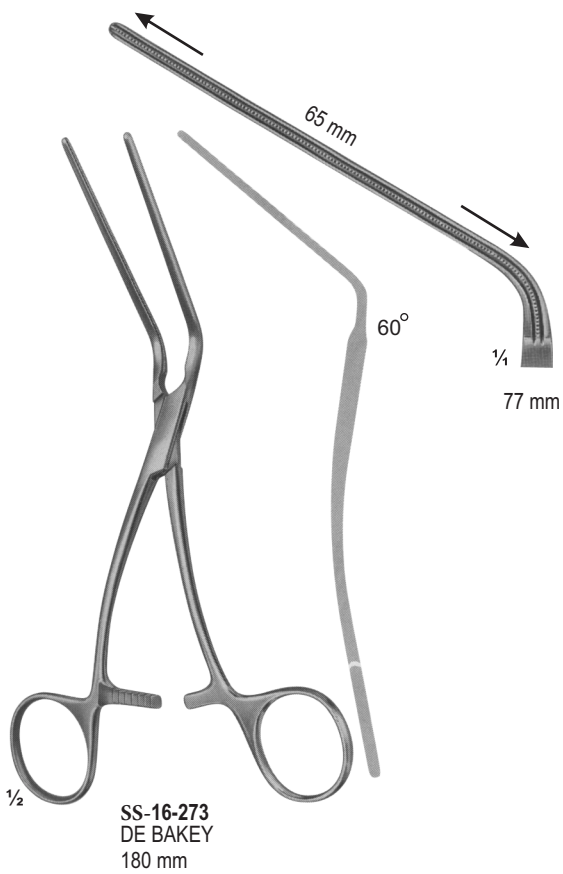
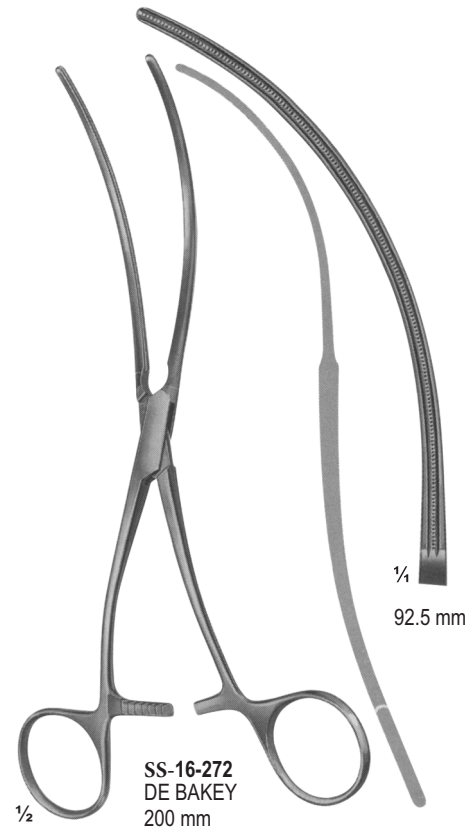
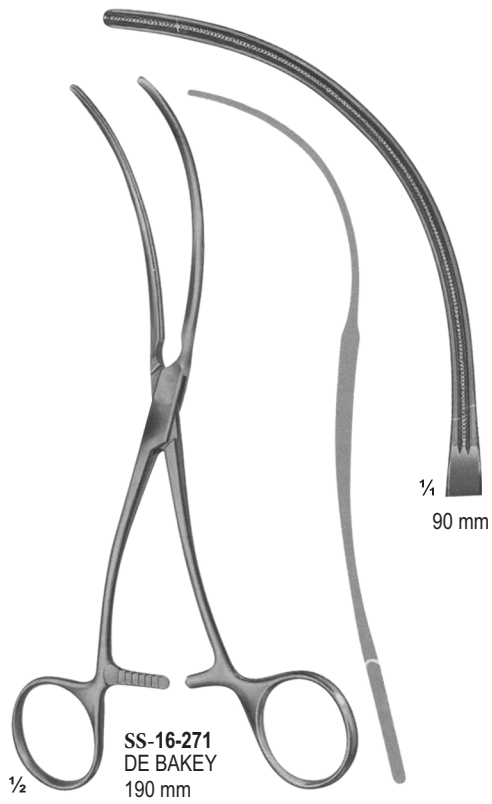




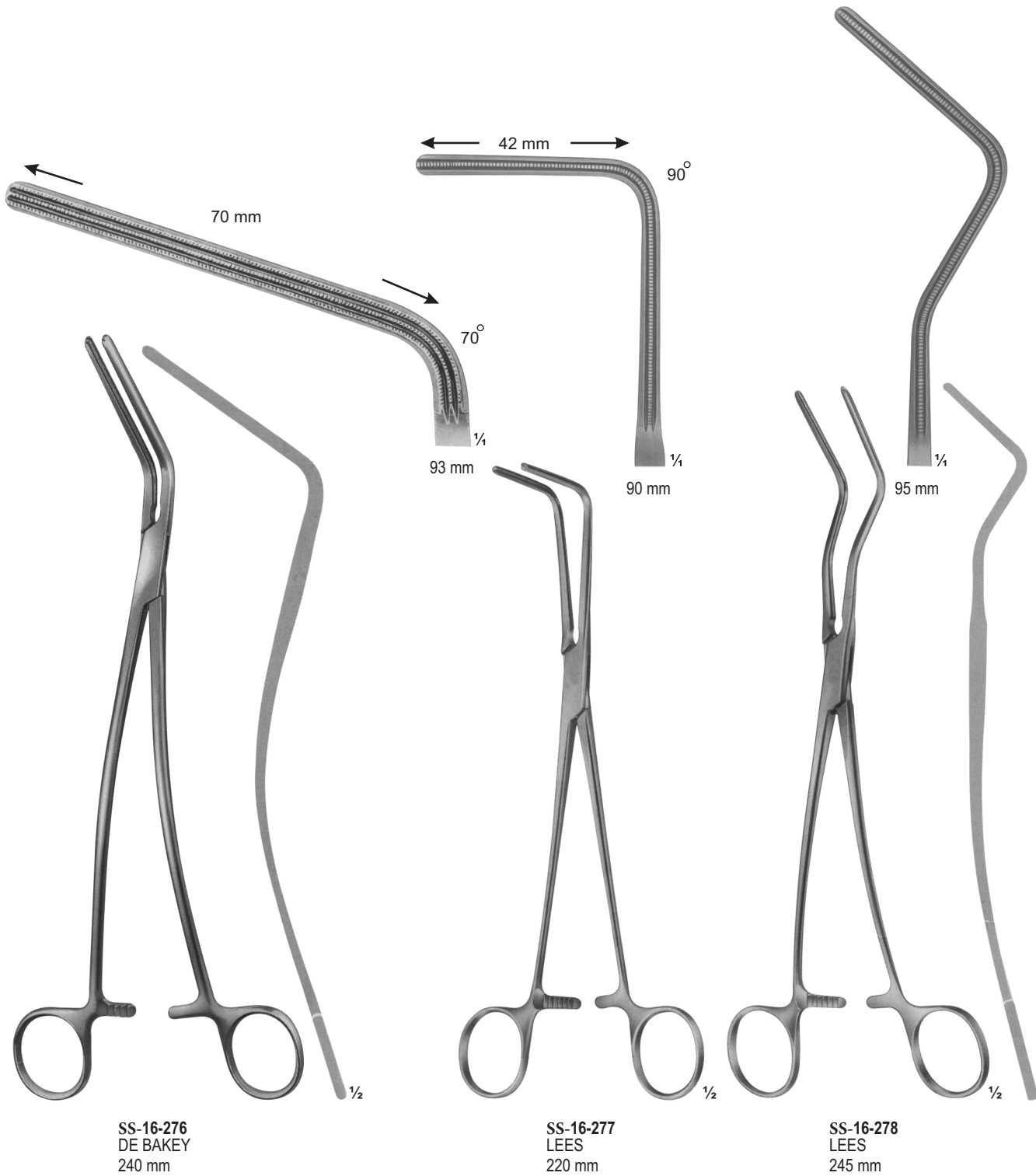
VASCULAR CLAMPS

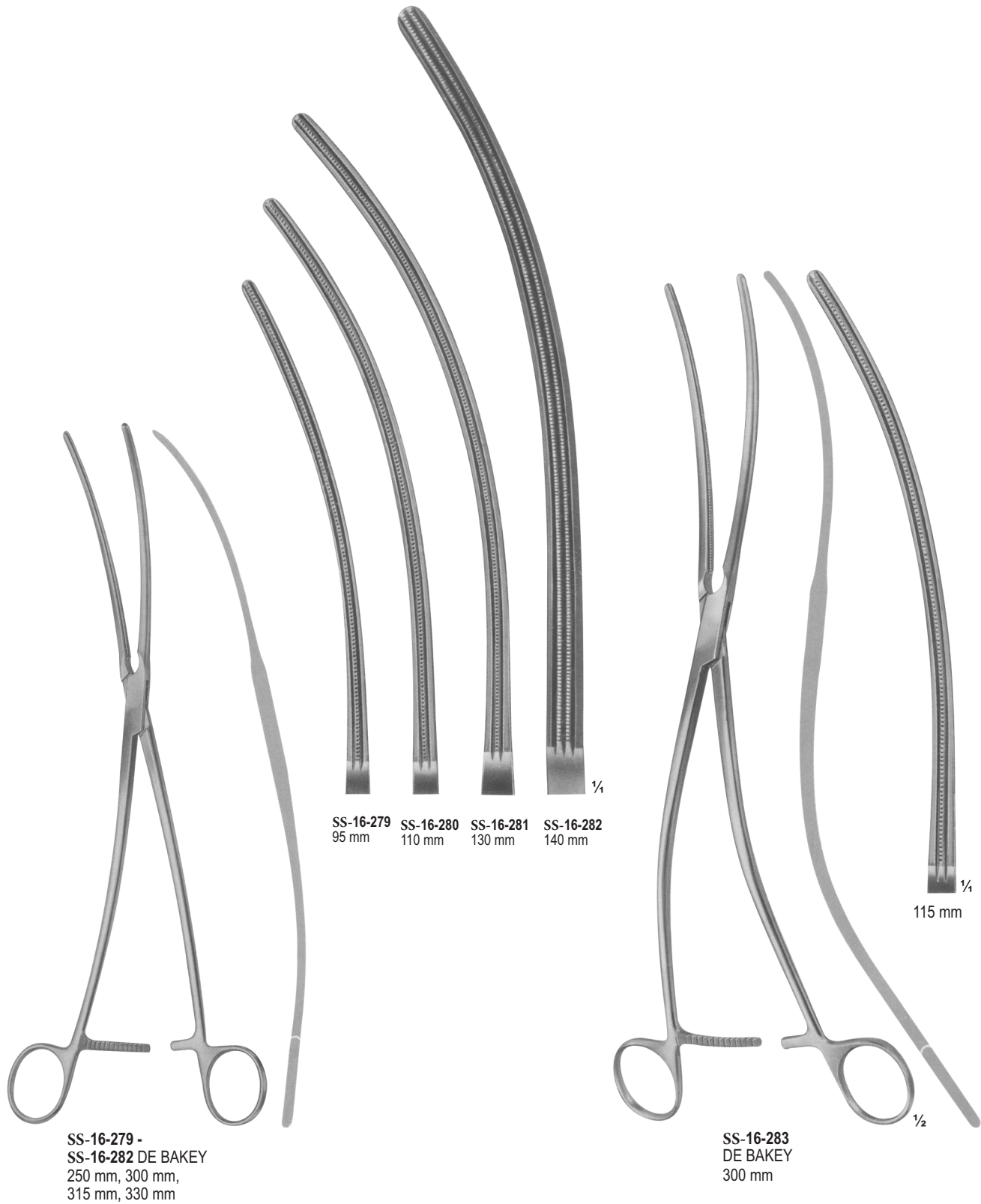












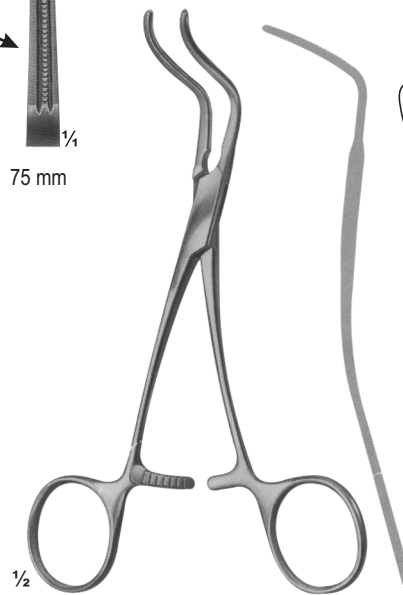
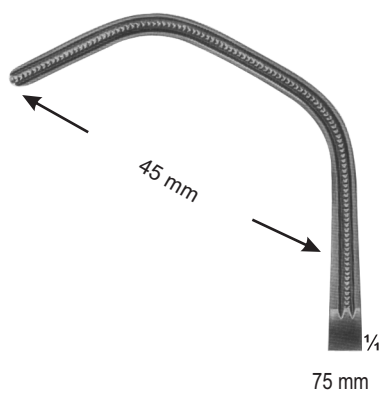
SS-16-279 95 mm    SS-16-280 110 mm    SS-16-281 130 mm    SS-16-282 140 mm

SS-16-279 -  
SS-16-282 DE BAKEY  
250 mm, 300 mm,  
315 mm, 330 mm

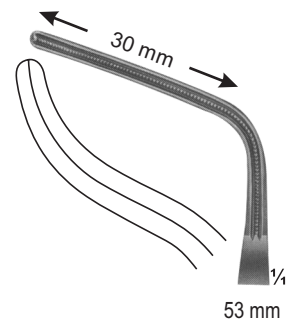
SS-16-283  
DE BAKEY  
300 mm

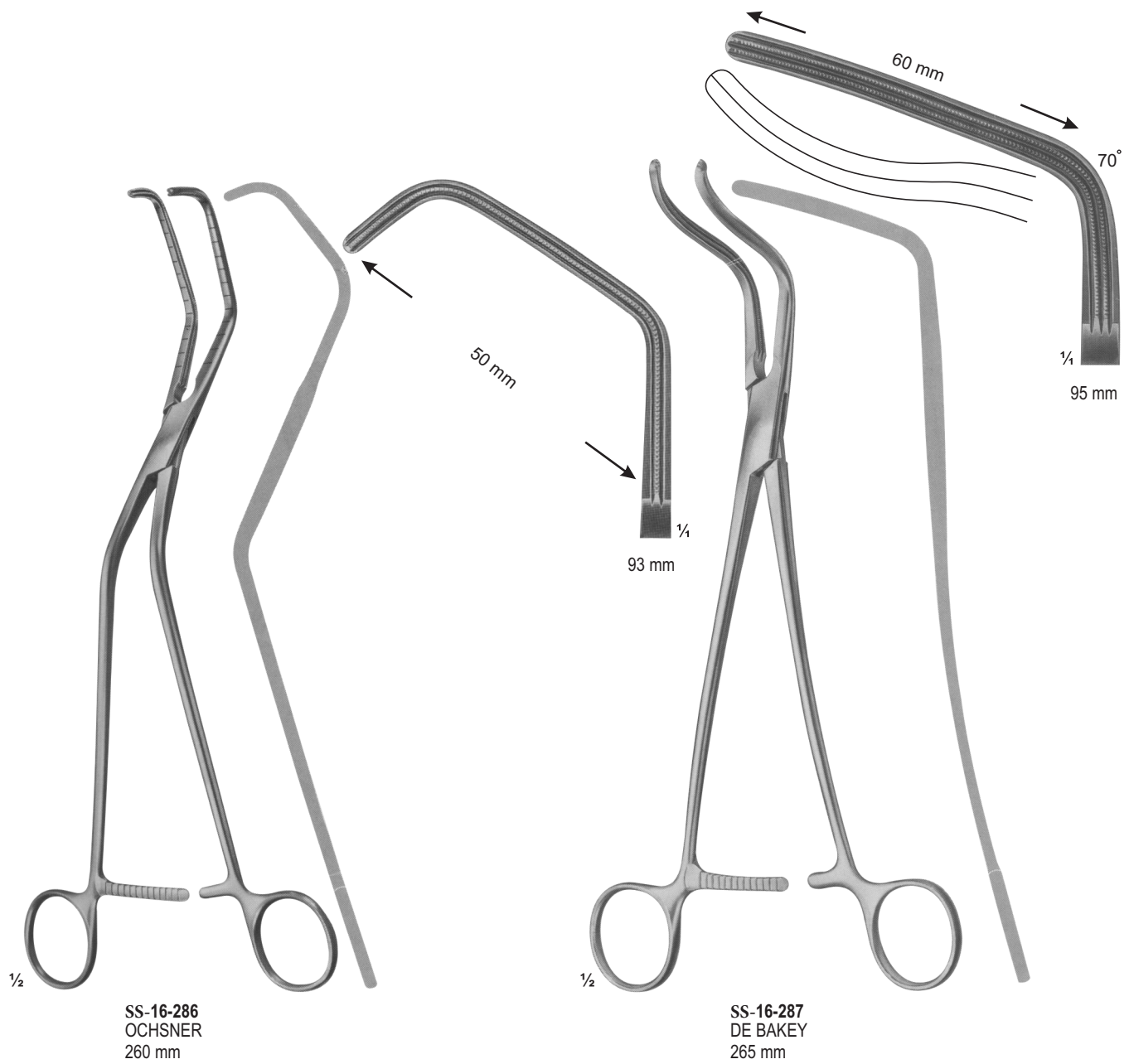


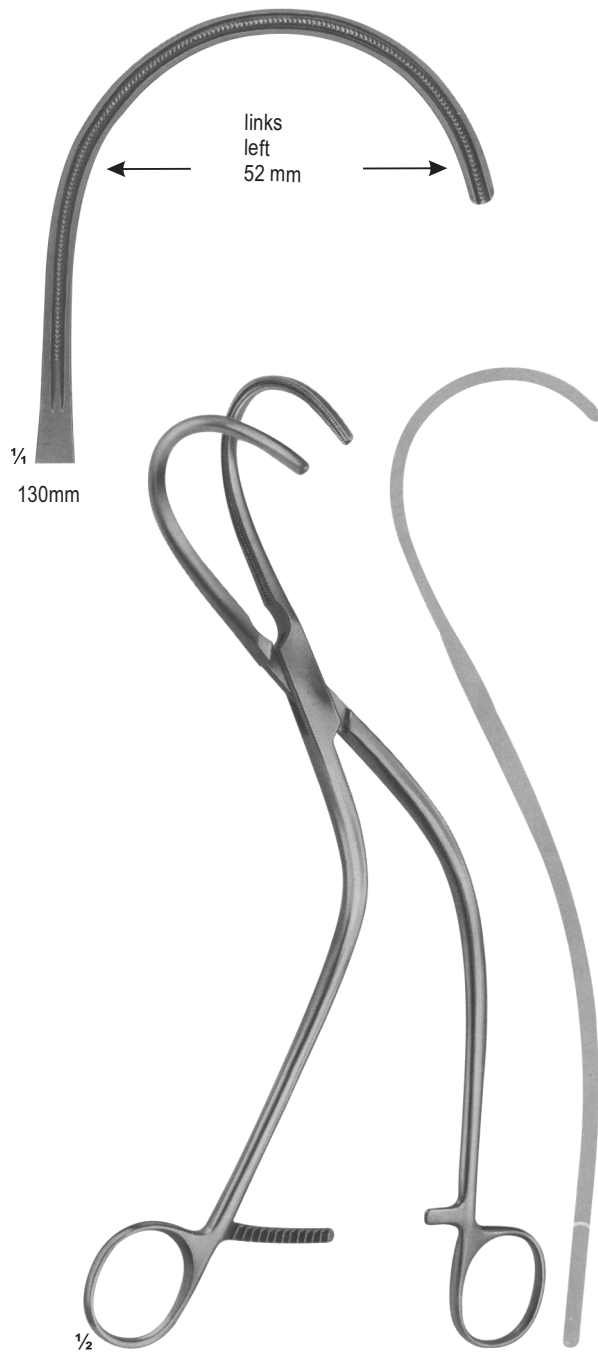
SS-16-284  
DIETRICH  
210 mm



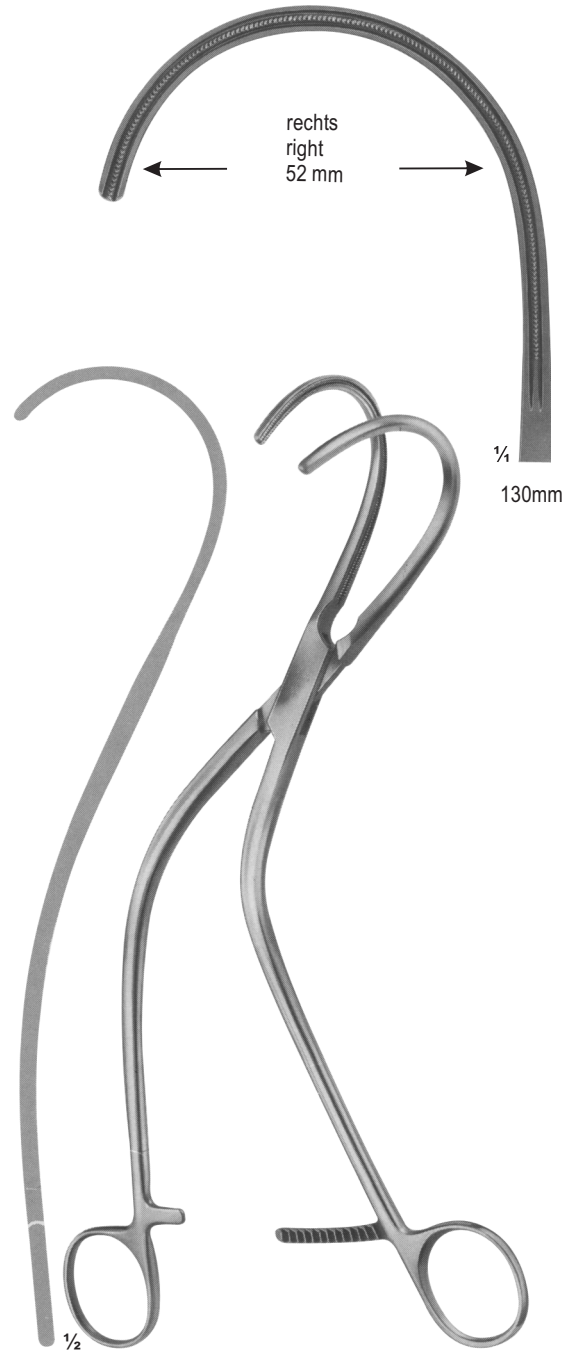
SS-16-285  
SUBRAMANIAN  
155 mm







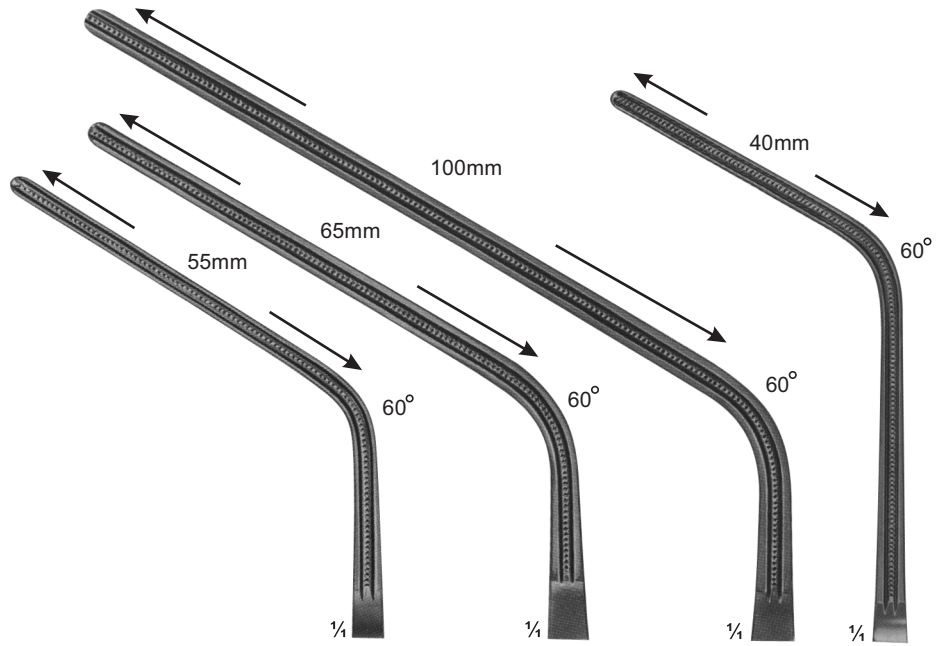
SS-16-288  
WEBER  
265 mm



SS-16-289  
WEBER  
265 mm



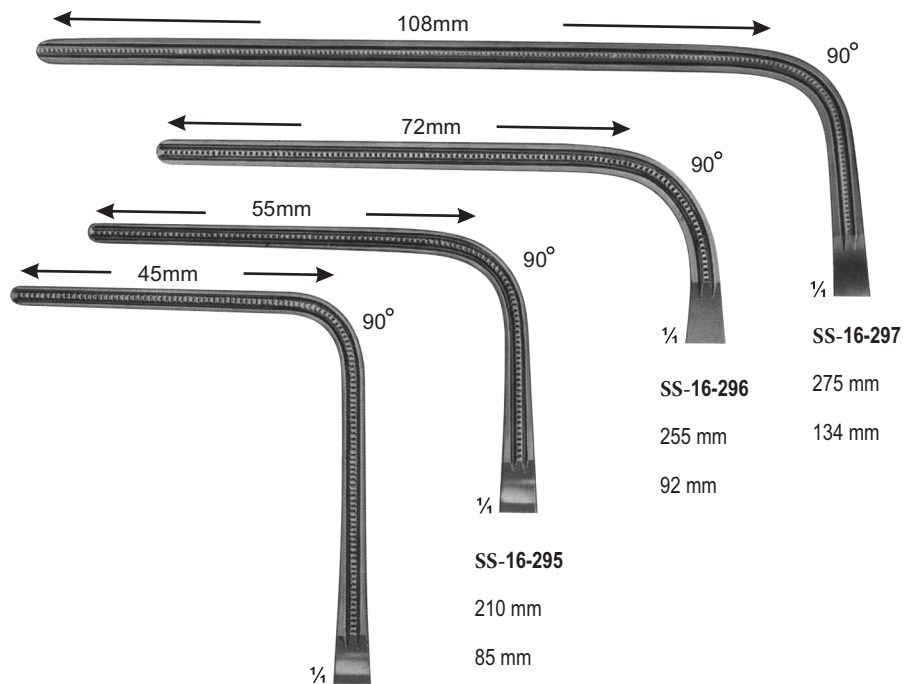
SS-16-290 -  
SS-16-293 DE BAKAY



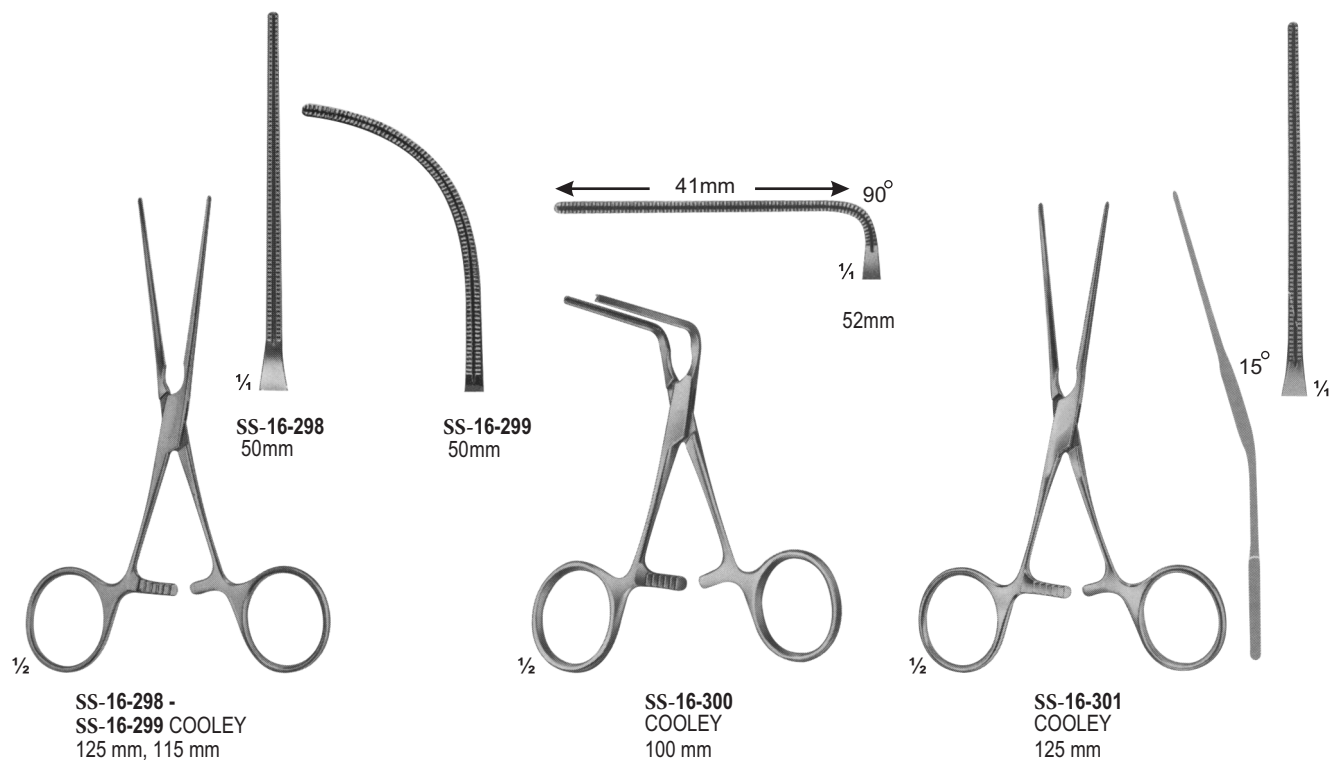
	SS-16-290	SS-16-291	SS-16-292	SS-16-293
Total Length:	230 mm	280 mm	305 mm	240 mm
Length of jaws:	85 mm	100 mm	135 mm	93 mm



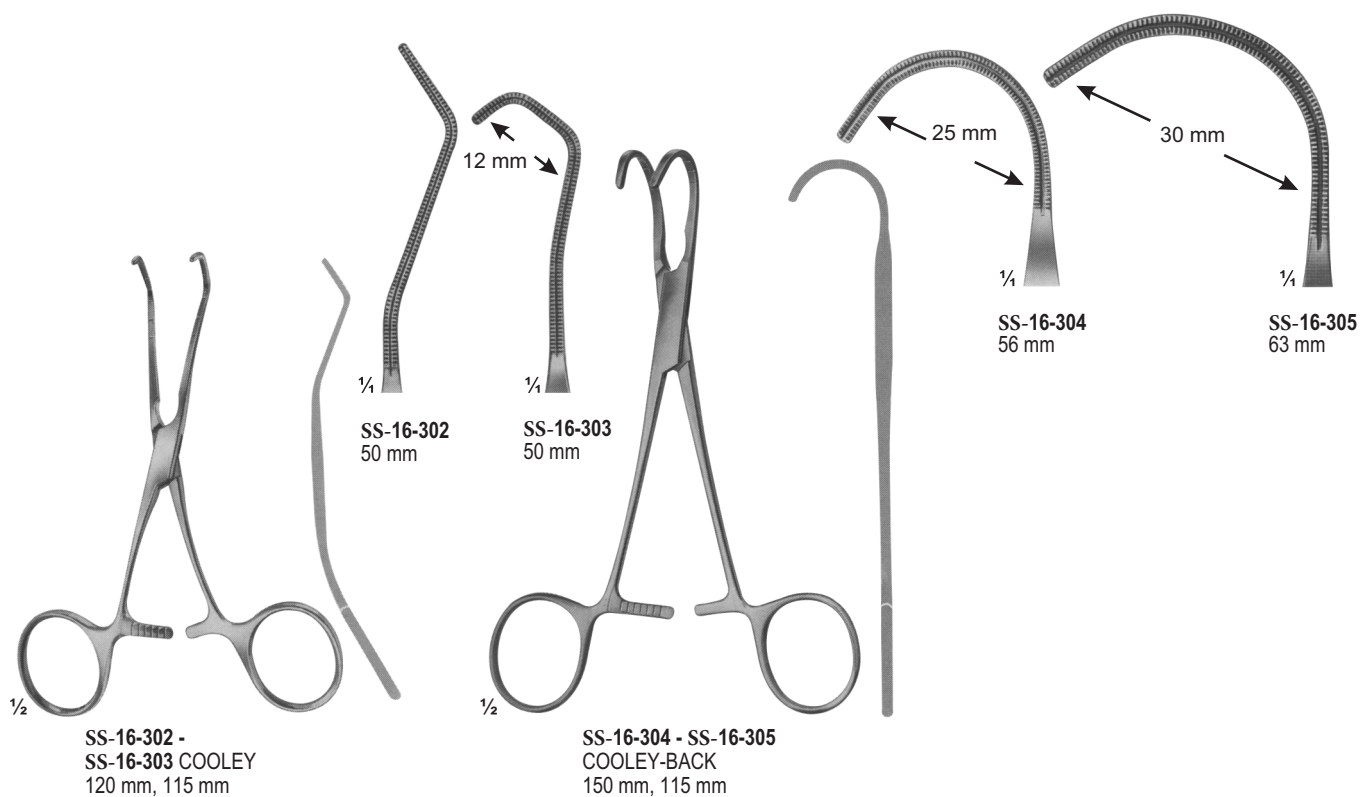
SS-16-294 -  
SS-16-297 DE BAKAY

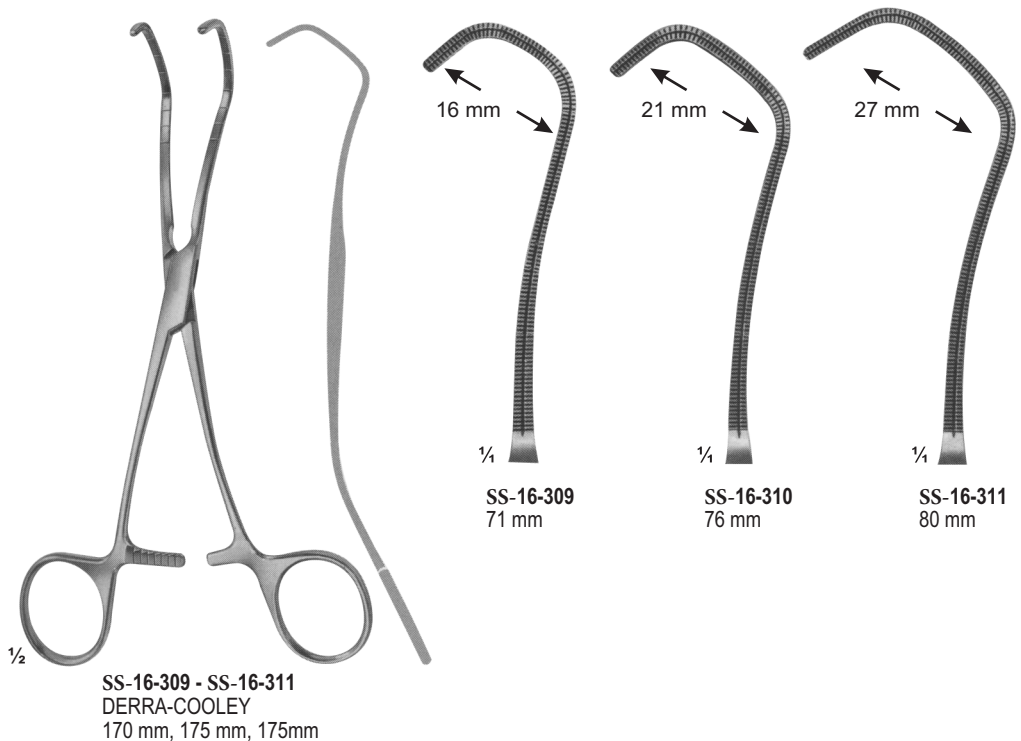
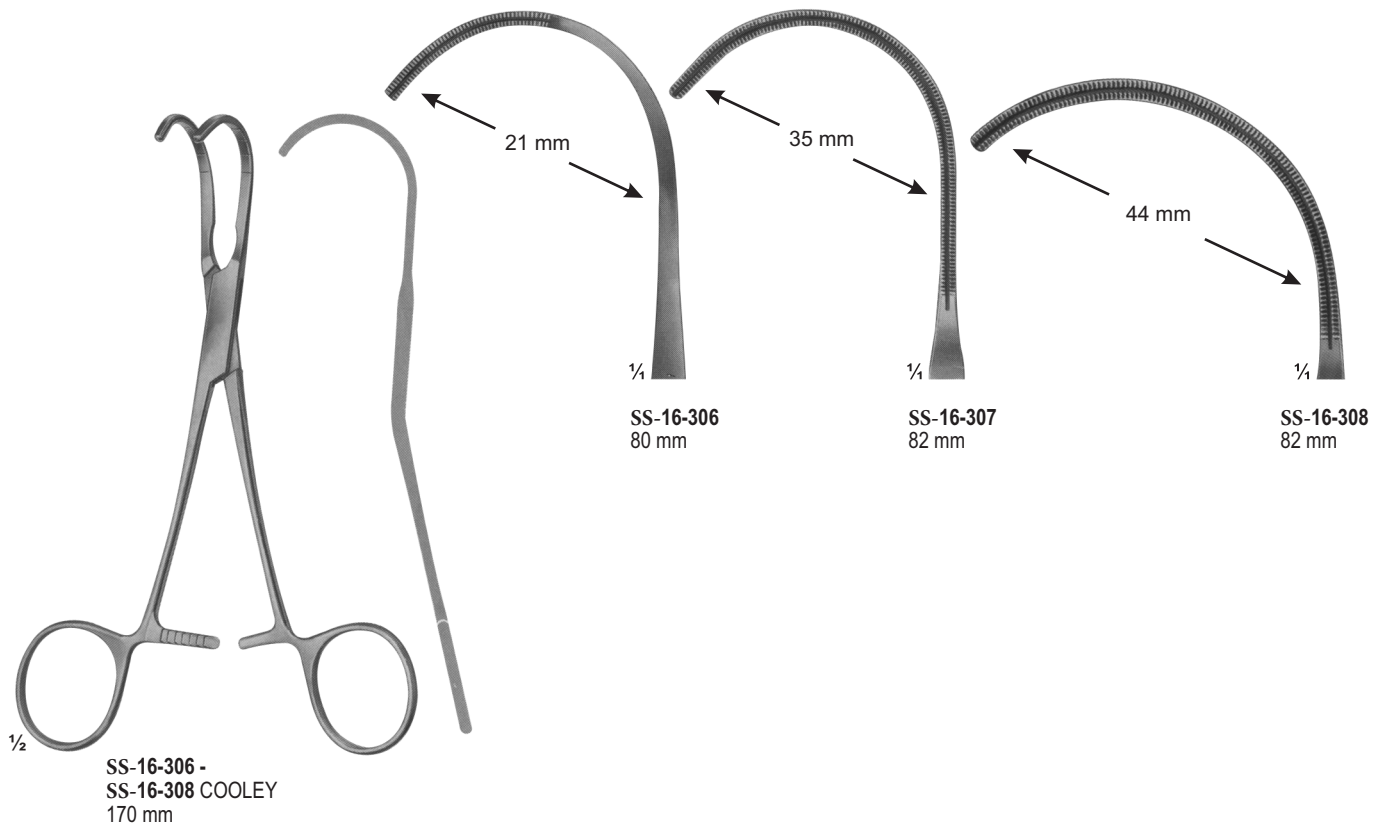


	SS-16-294	SS-16-295	SS-16-296	SS-16-297
Total Length:	225 mm	210 mm	255 mm	275 mm
Length of jaws:	93 mm	85 mm	92 mm	134 mm

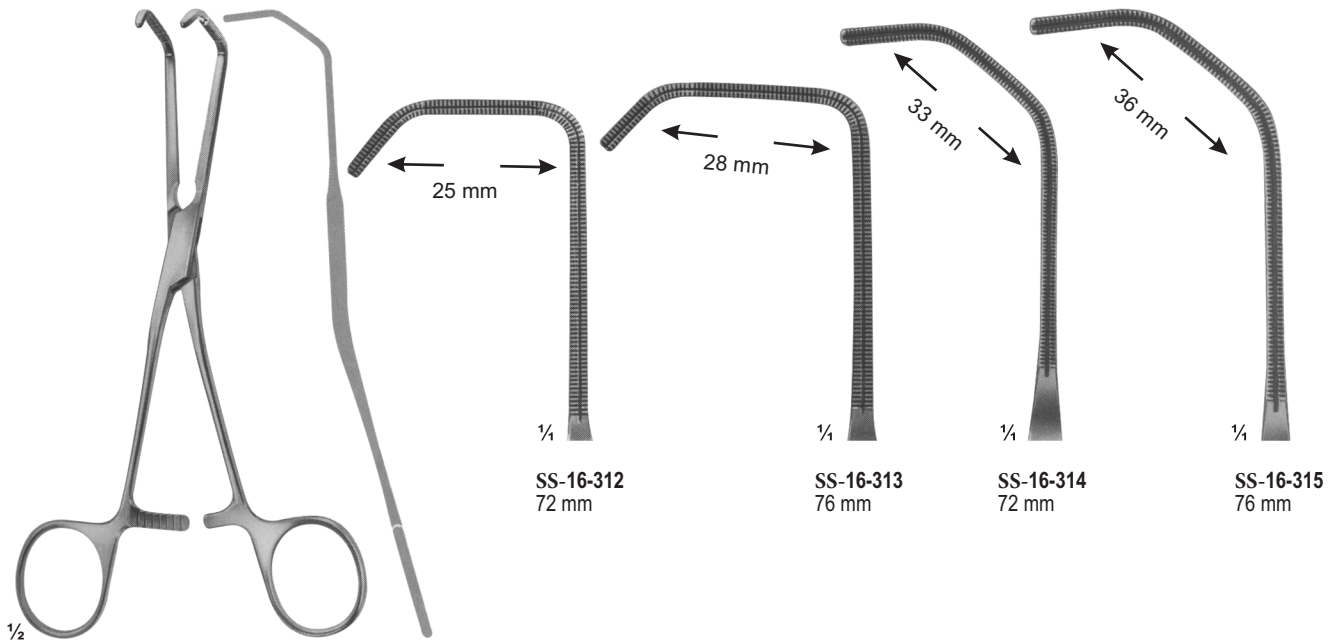


ANASTOMOSIS CLAMPS, PEDIATRIC PATTERNS

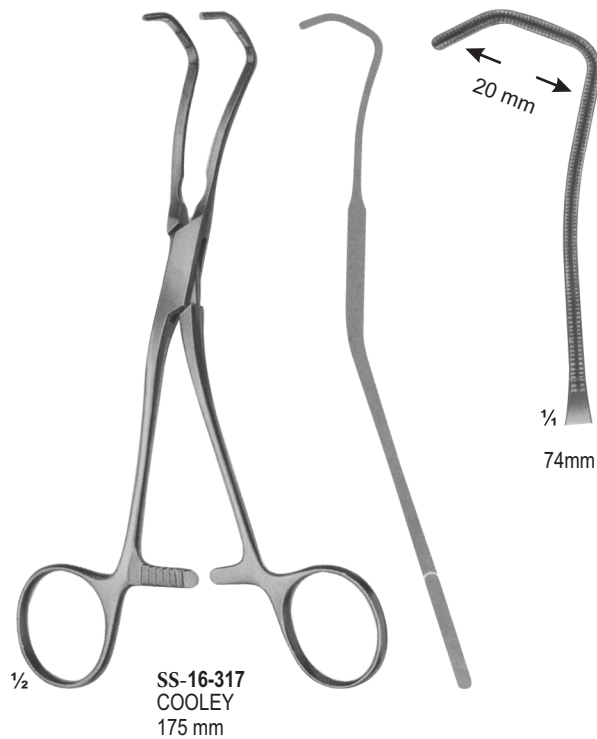
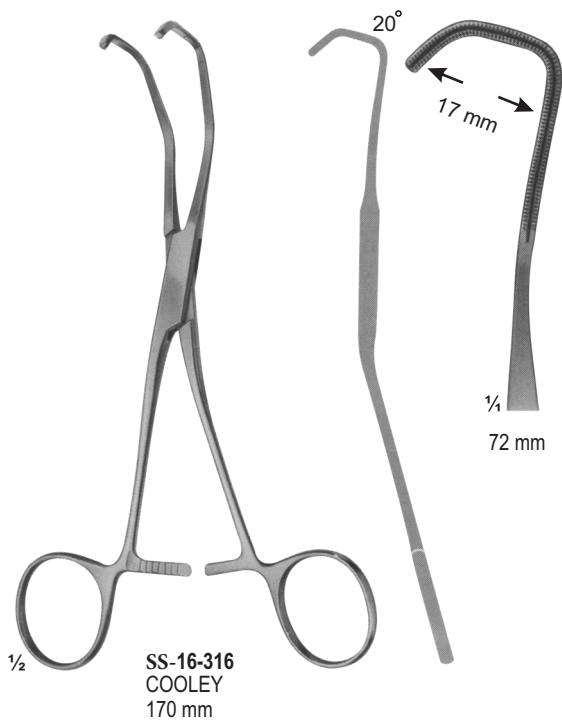


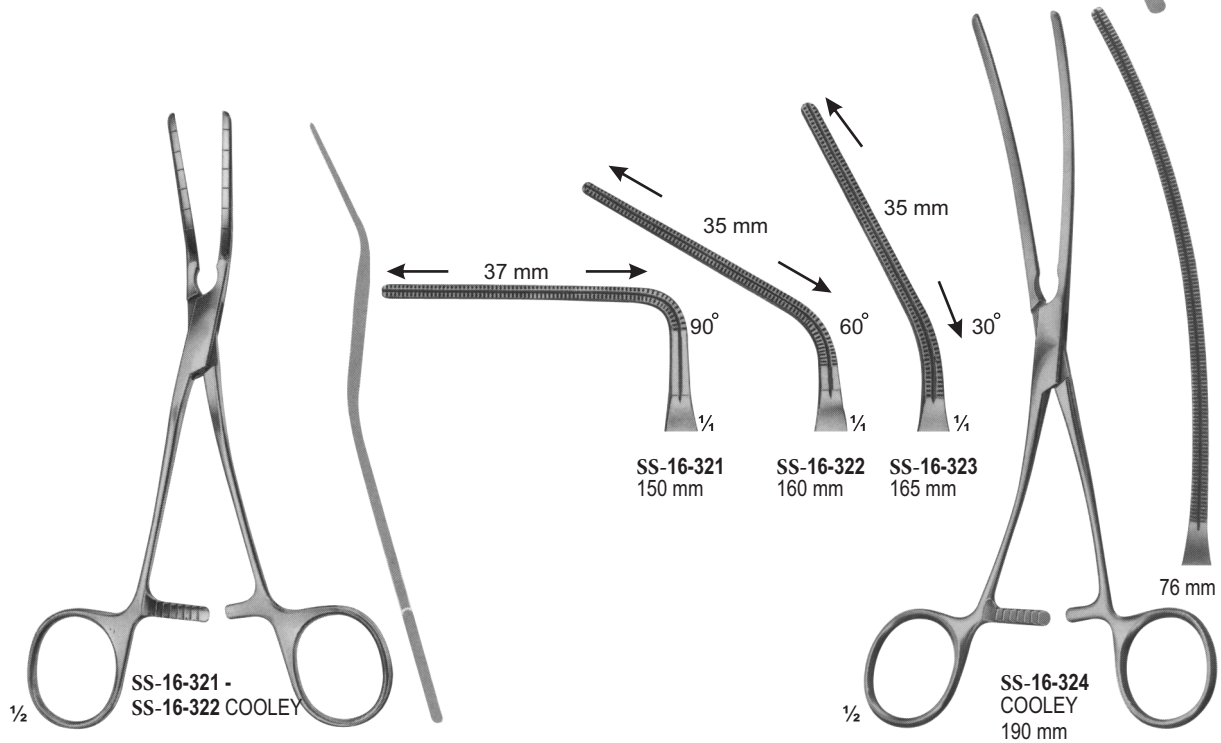
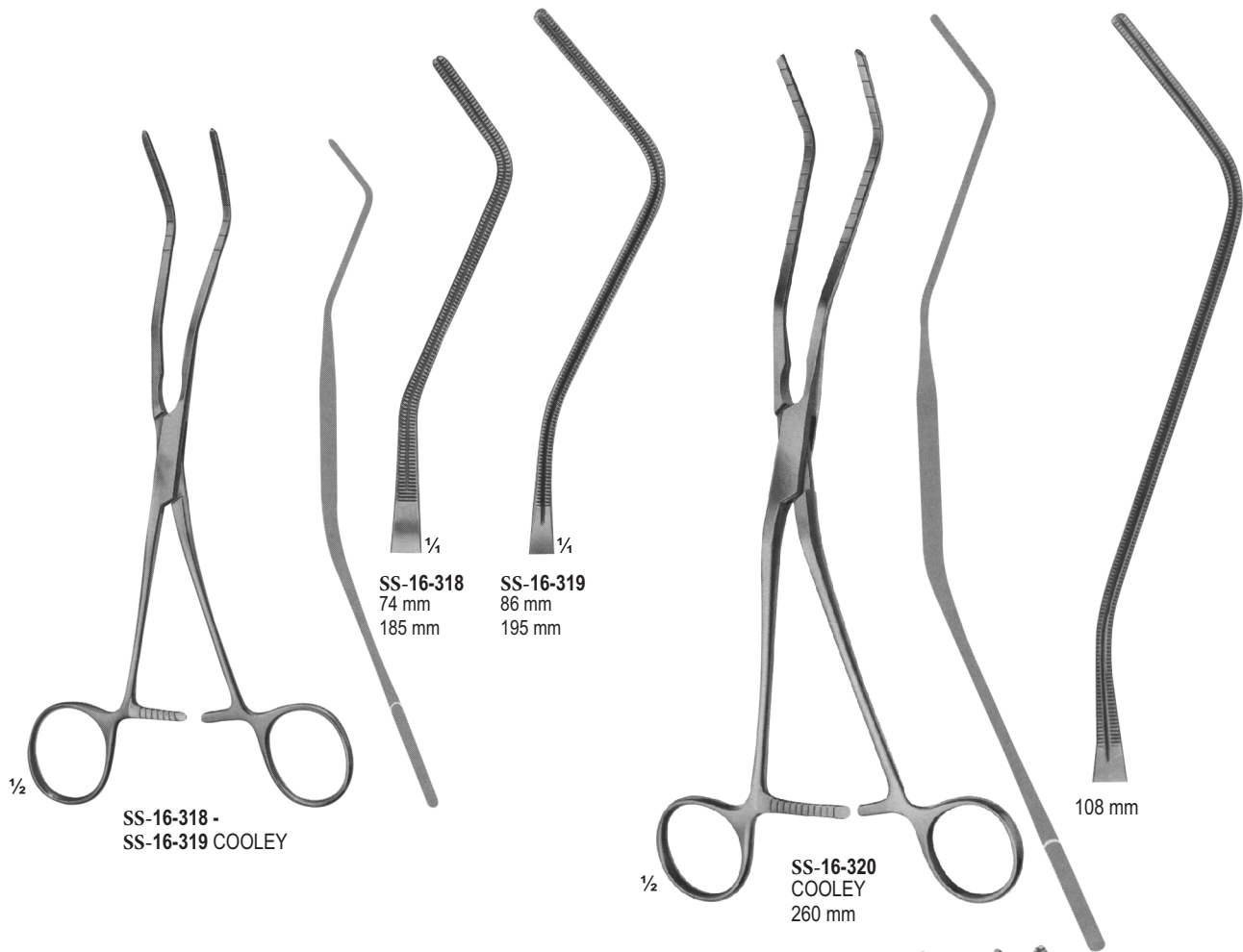


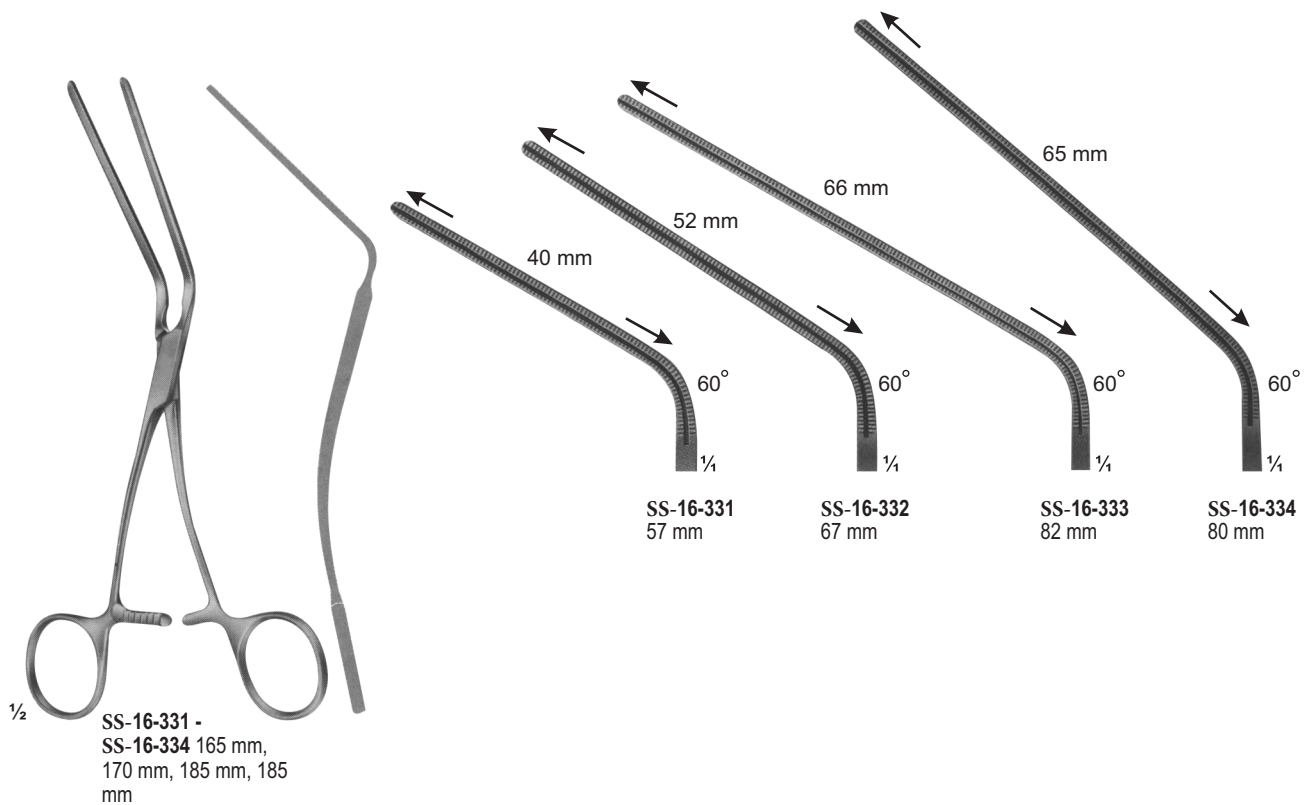
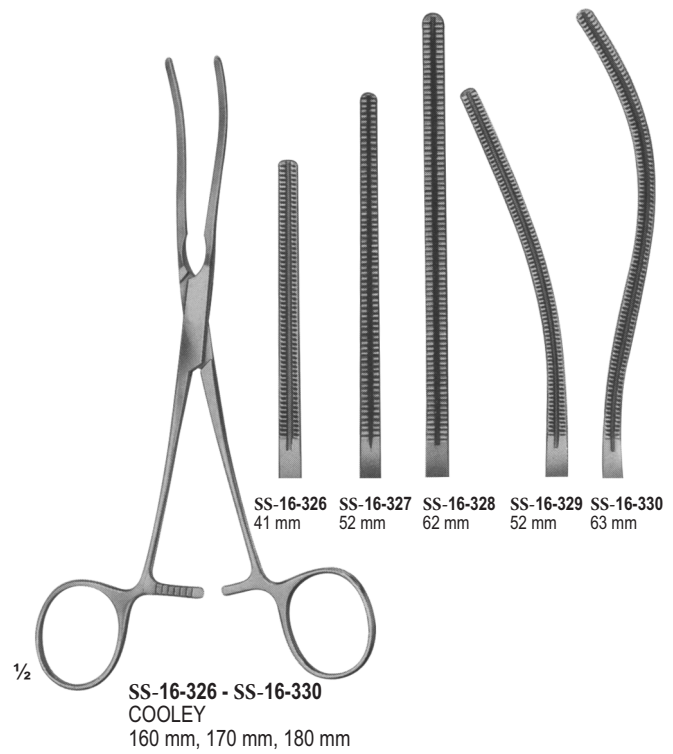
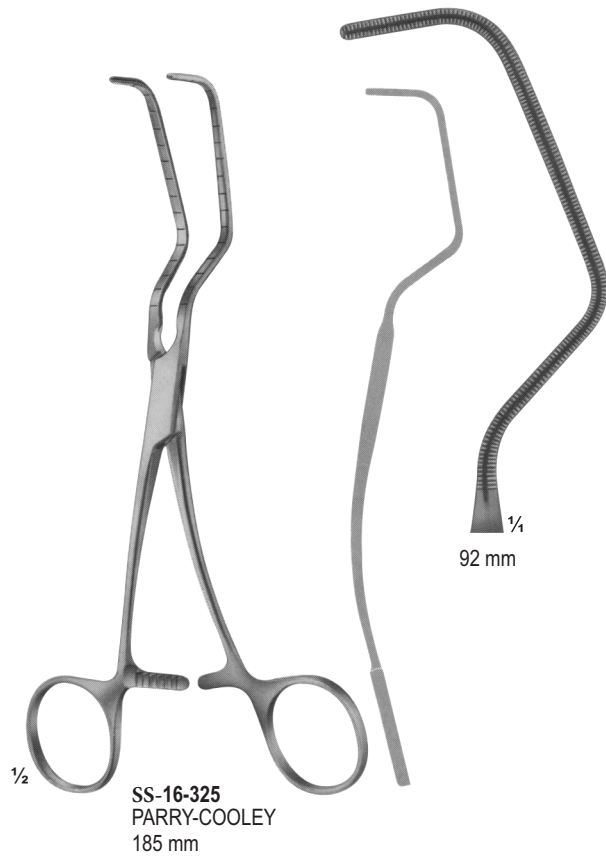




SS-16-312 -  
SS-16-315 COOLEY  
165 mm, 165 mm 175  
mm, 180 mm

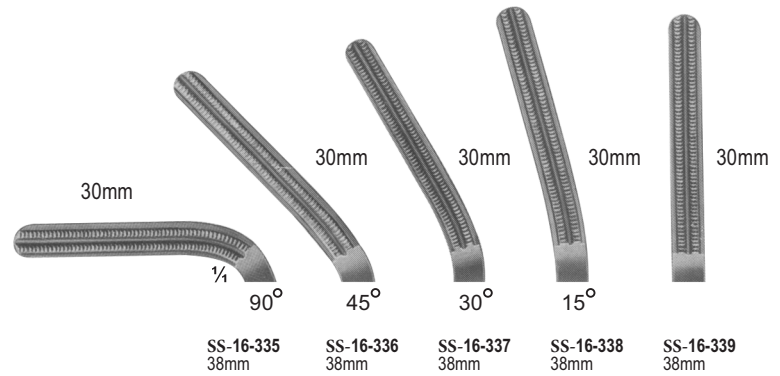




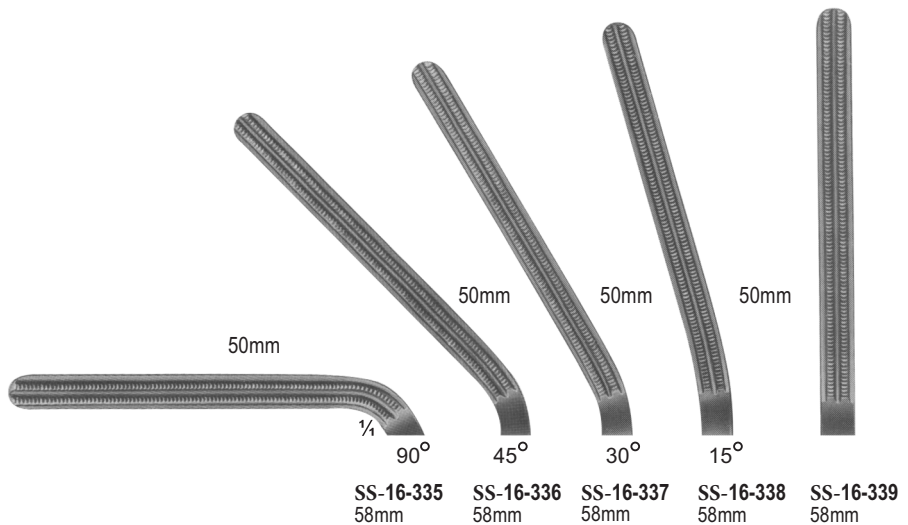


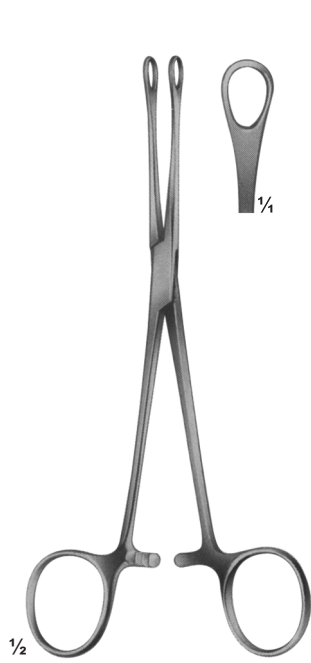


1/2 DARDIK  
 SS-16-335 150 mm  
 SS-16-336 150 mm  
 SS-16-337 150 mm  
 SS-16-338 145 mm  
 SS-16-339 130 mm



1/2 DARDIK  
 SS-16-335 170 mm  
 SS-16-336 170 mm  
 SS-16-337 170 mm  
 SS-16-338 160 mm  
 SS-16-339 135 mm

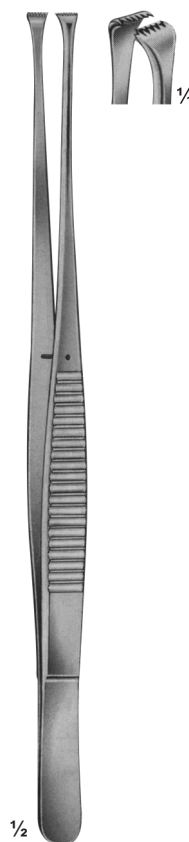




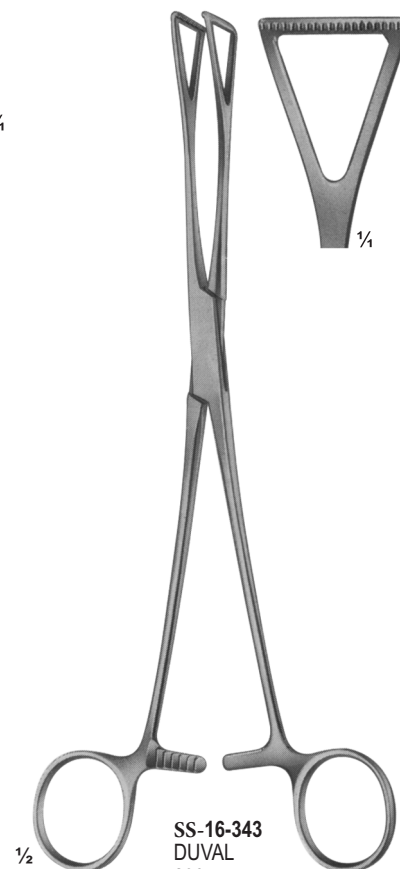
**SS-16-340**  
WILLIAMS  
160 mm



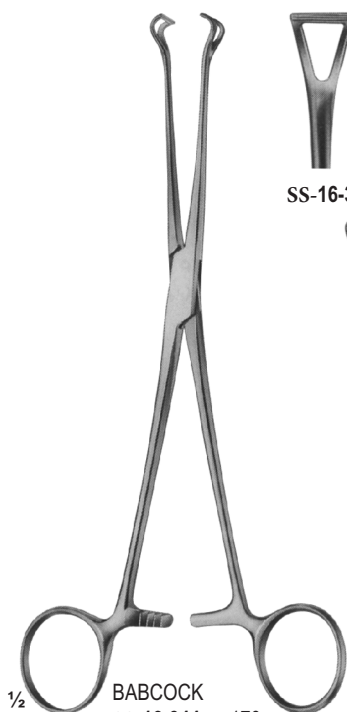
**SS-16-341**  
TUTTLE  
230 mm



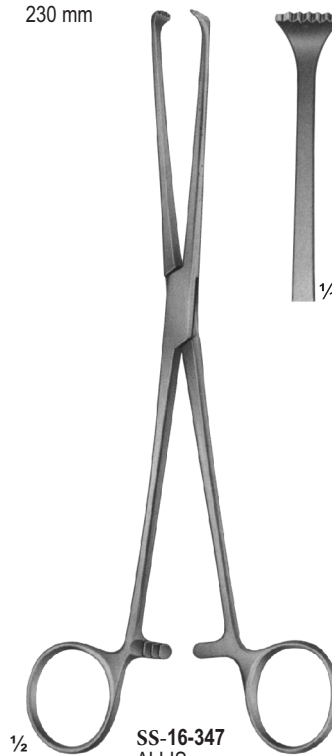
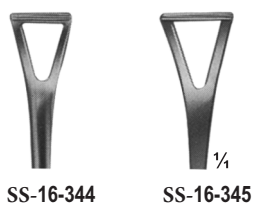
**SS-16-342**  
NELSON  
230 mm



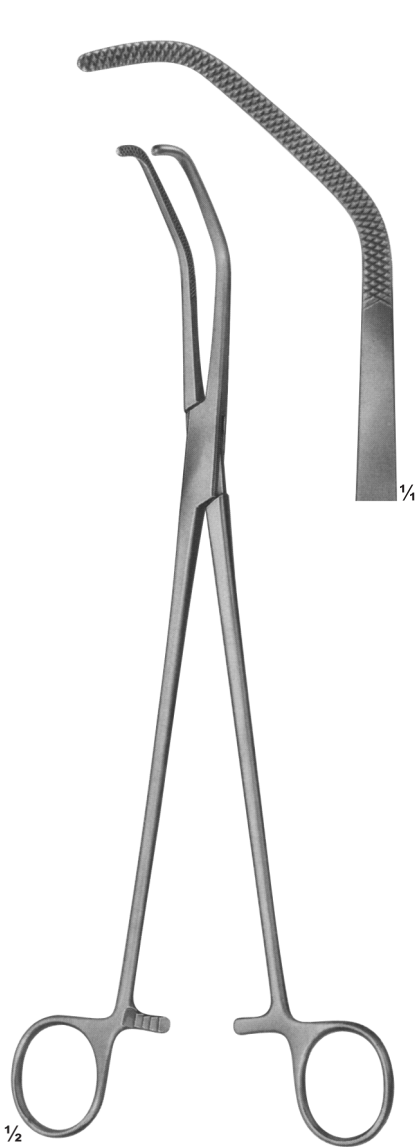
**SS-16-343**  
DUVAL  
230 mm



**BABCOCK**  
**SS-16-344** 170 mm  
**SS-16-345** 215 mm  
**SS-16-346** 220 mm



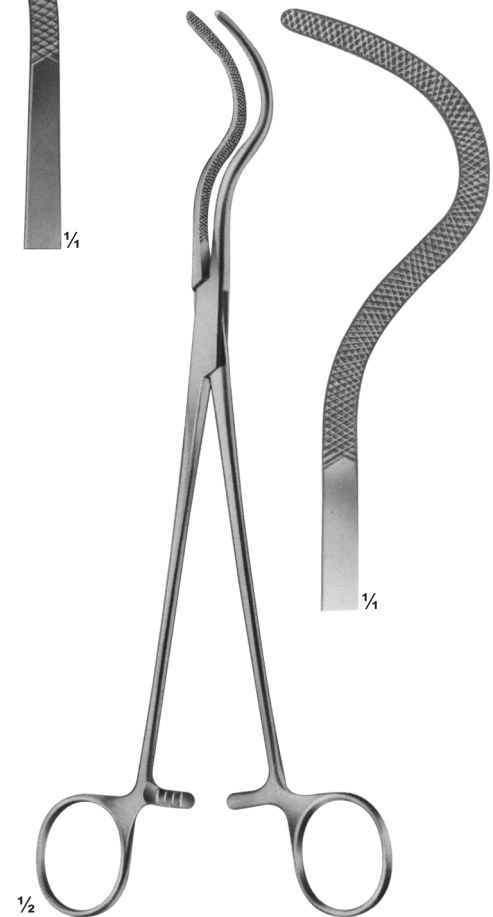
**SS-16-347**  
ALLIS  
220 mm



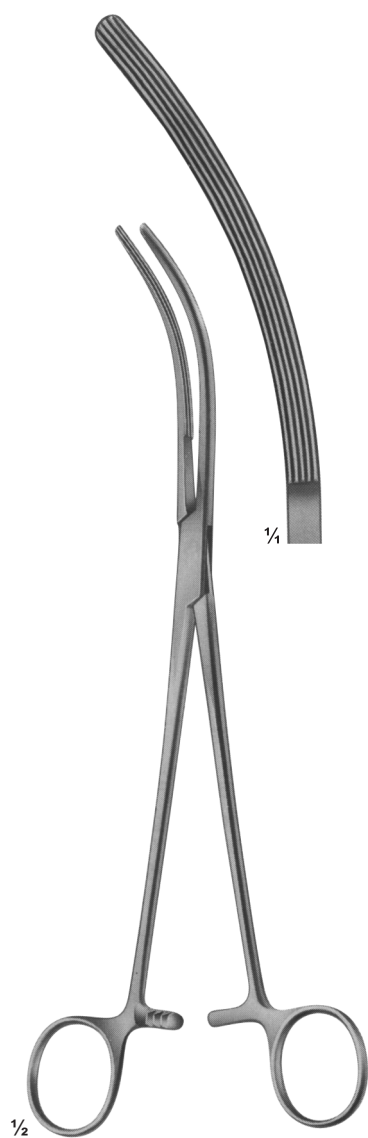
SS-16-348  
SATINSKY  
265 mm



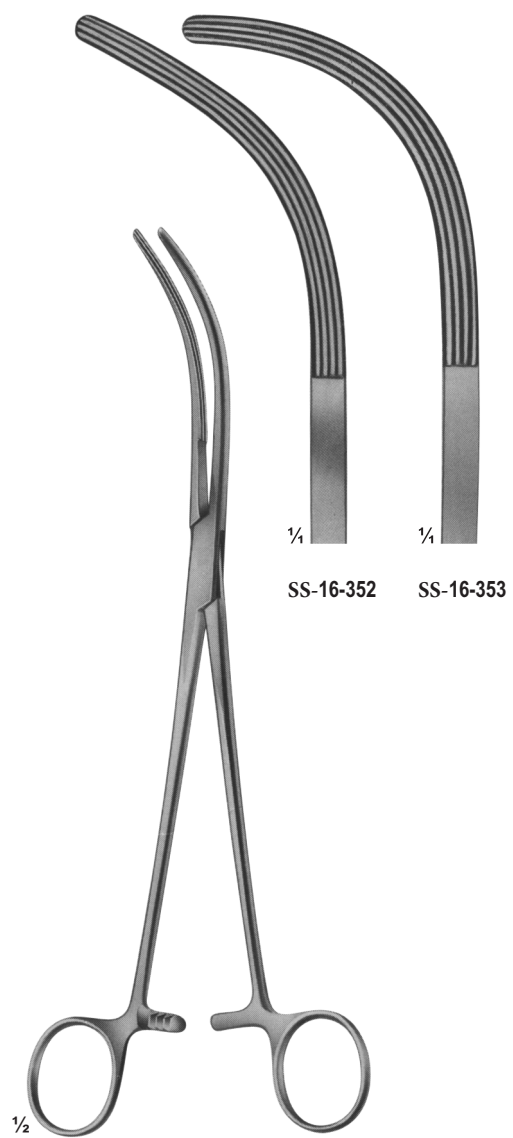
SS-16-349  
SATINSKY  
265 mm



SS-16-350  
HARKEN  
240 mm



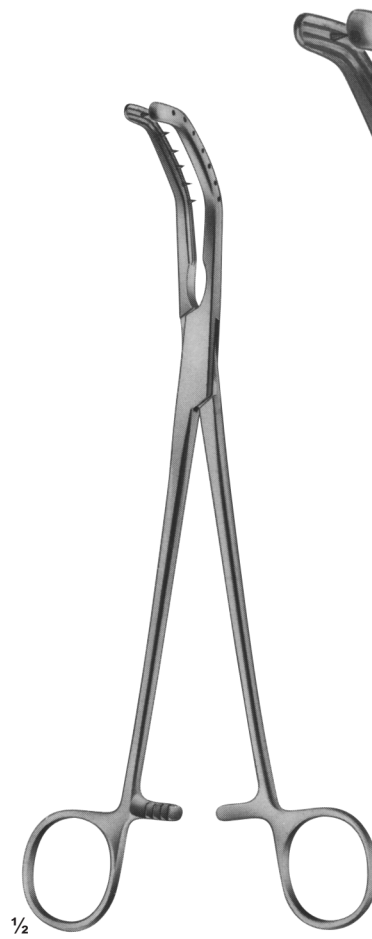
**SS-16-351**  
CRAFOORD-SELLORS  
240 mm



**SS-16-352 -  
SS-16-353**  
CRAFOORD  
240 mm



**SS-16-354**  
PRICE THOMAS  
225 mm



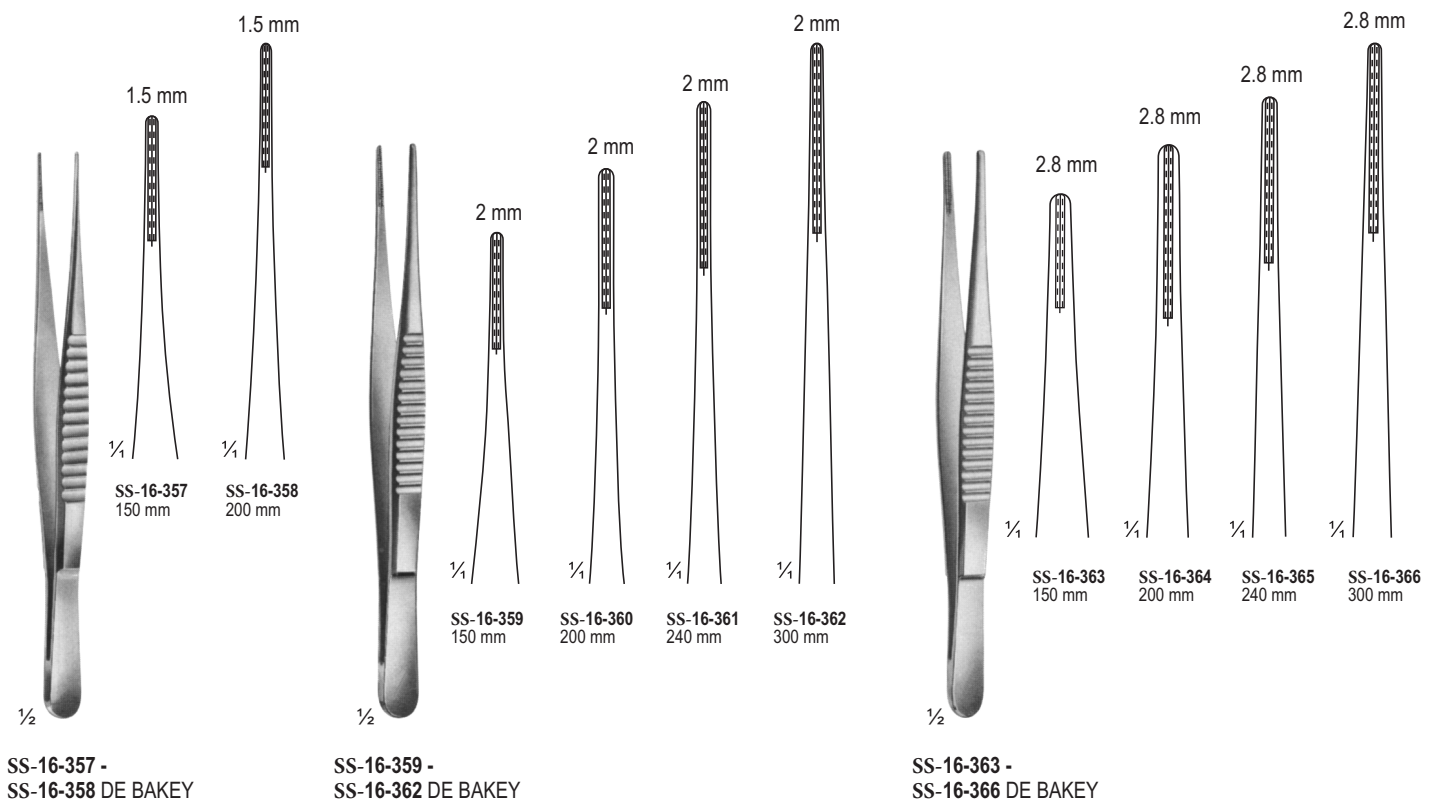
**SS-16-355 -**  
**SS-16-356** PRICE  
THOMAS 225 mm

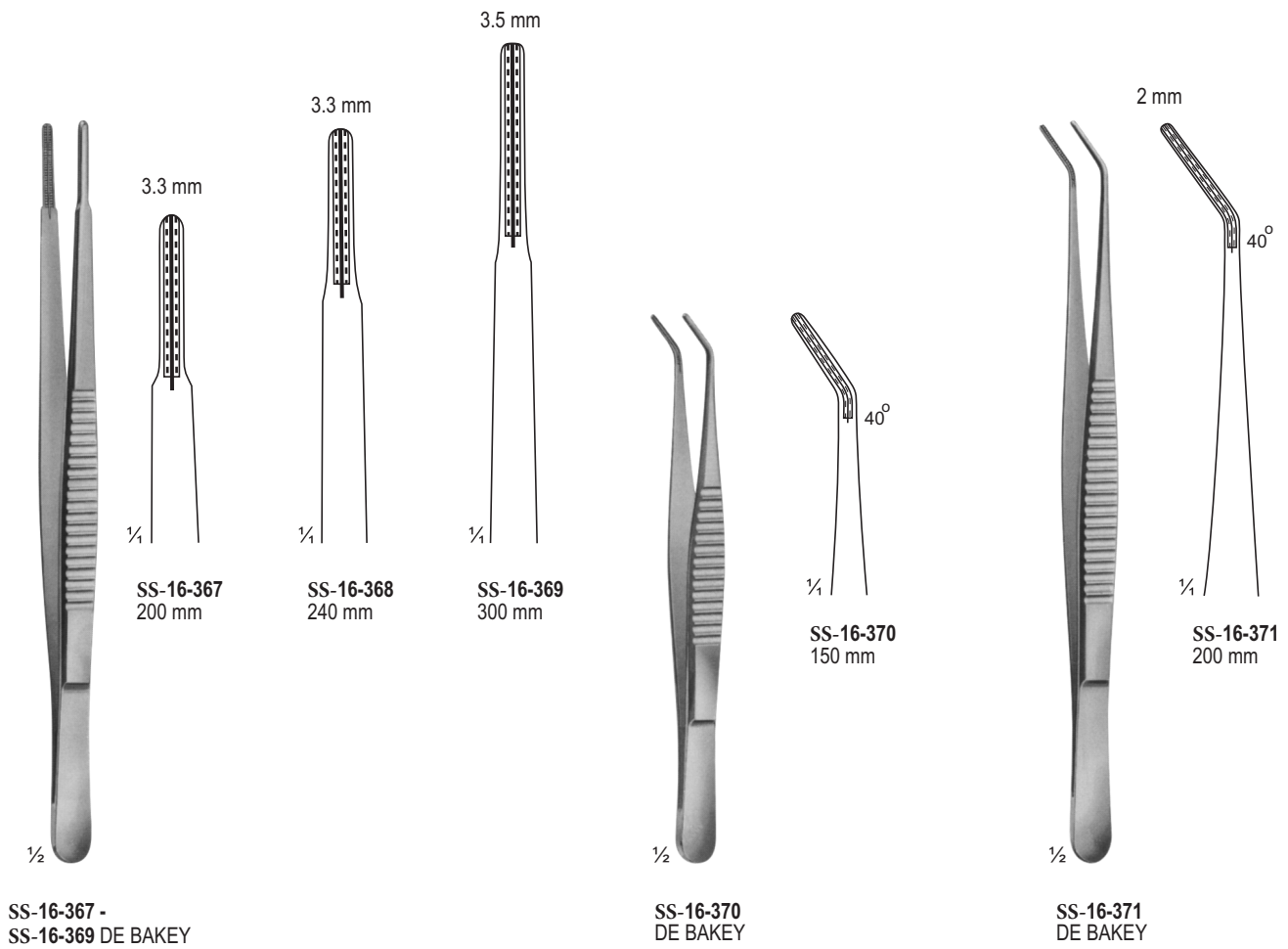


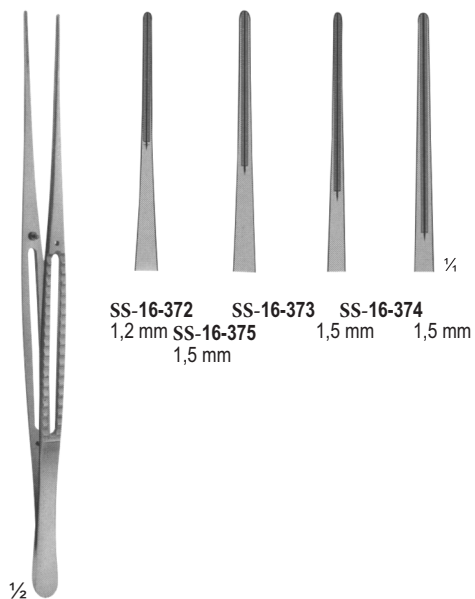
**SS-16-355**  
jaws with pins

**SS-16-356**  
jaws with pins



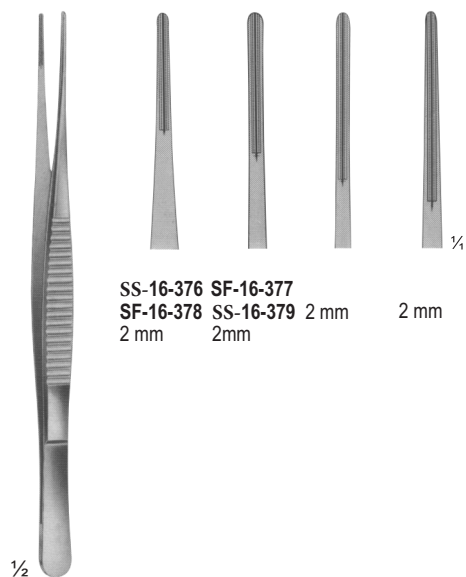






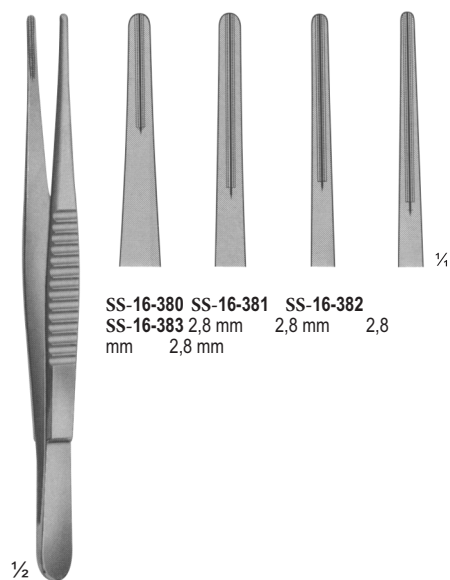
SS-16-372 1,2 mm  
 SS-16-373 1,5 mm  
 SS-16-374 1,5 mm  
 SS-16-375 1,5 mm

- SS-16-372 150 mm
- SS-16-373 200 mm
- SS-16-374 240 mm
- SS-16-375 300 mm



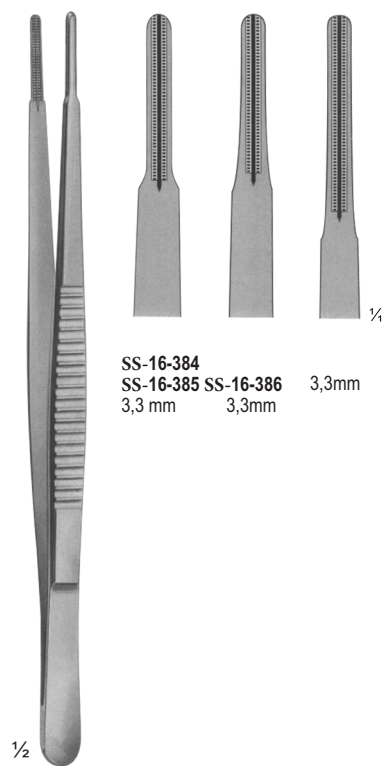
SS-16-376 2 mm  
 SF-16-377 2 mm  
 SS-16-378 2 mm  
 SS-16-379 2 mm

- DE BAKEY
- SS-16-376 150 mm
  - SS-16-377 200 mm
  - SS-16-378 240 mm
  - SS-16-379 300 mm



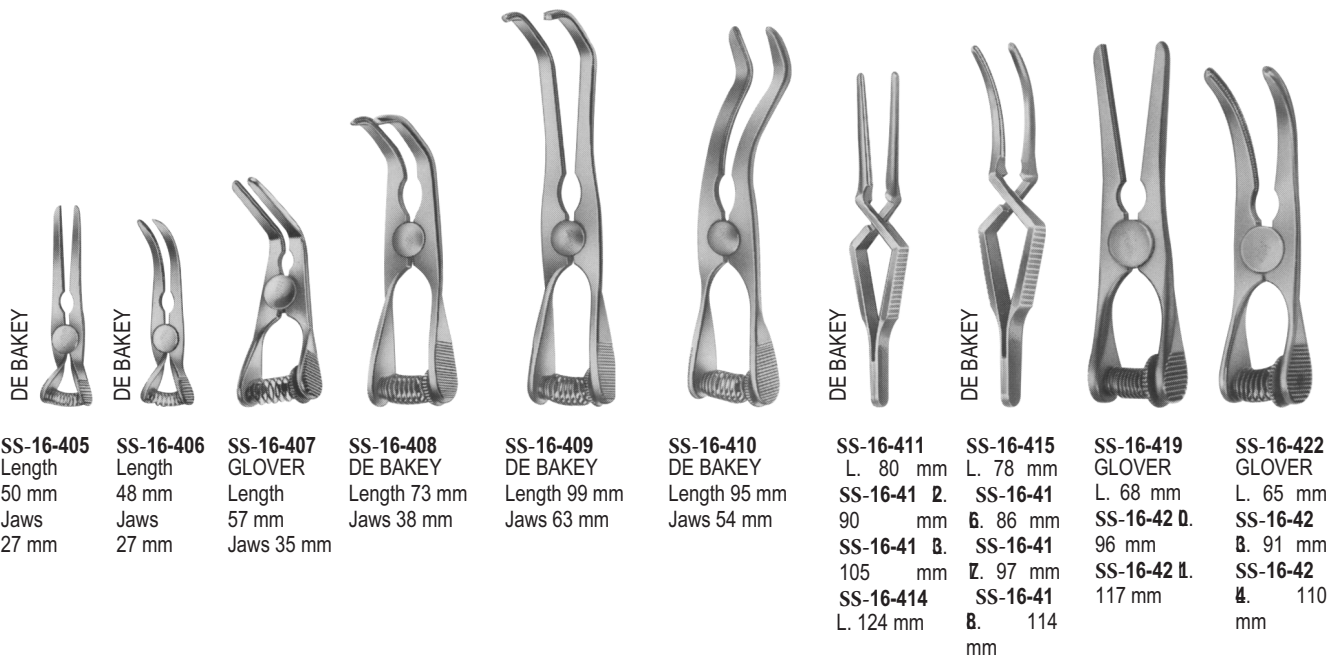
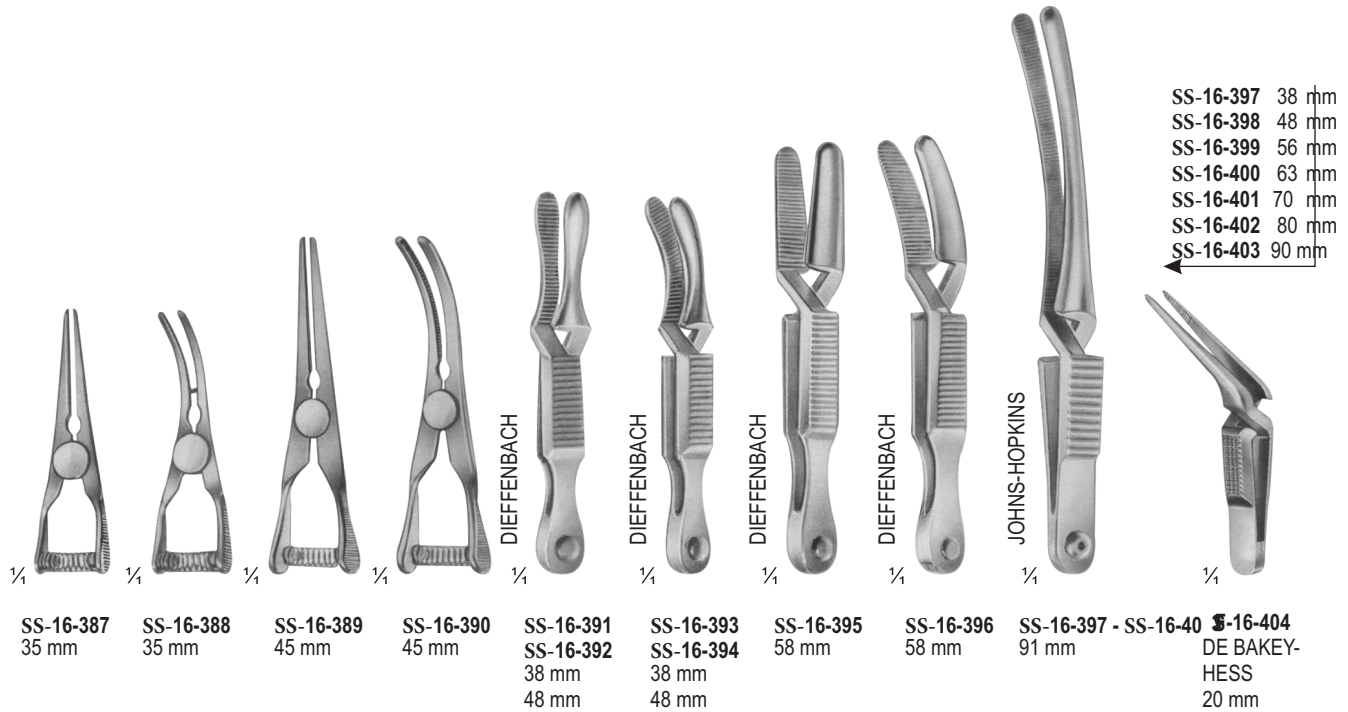
SS-16-380 2,8 mm  
 SS-16-381 2,8 mm  
 SS-16-382 2,8 mm  
 SS-16-383 2,8 mm

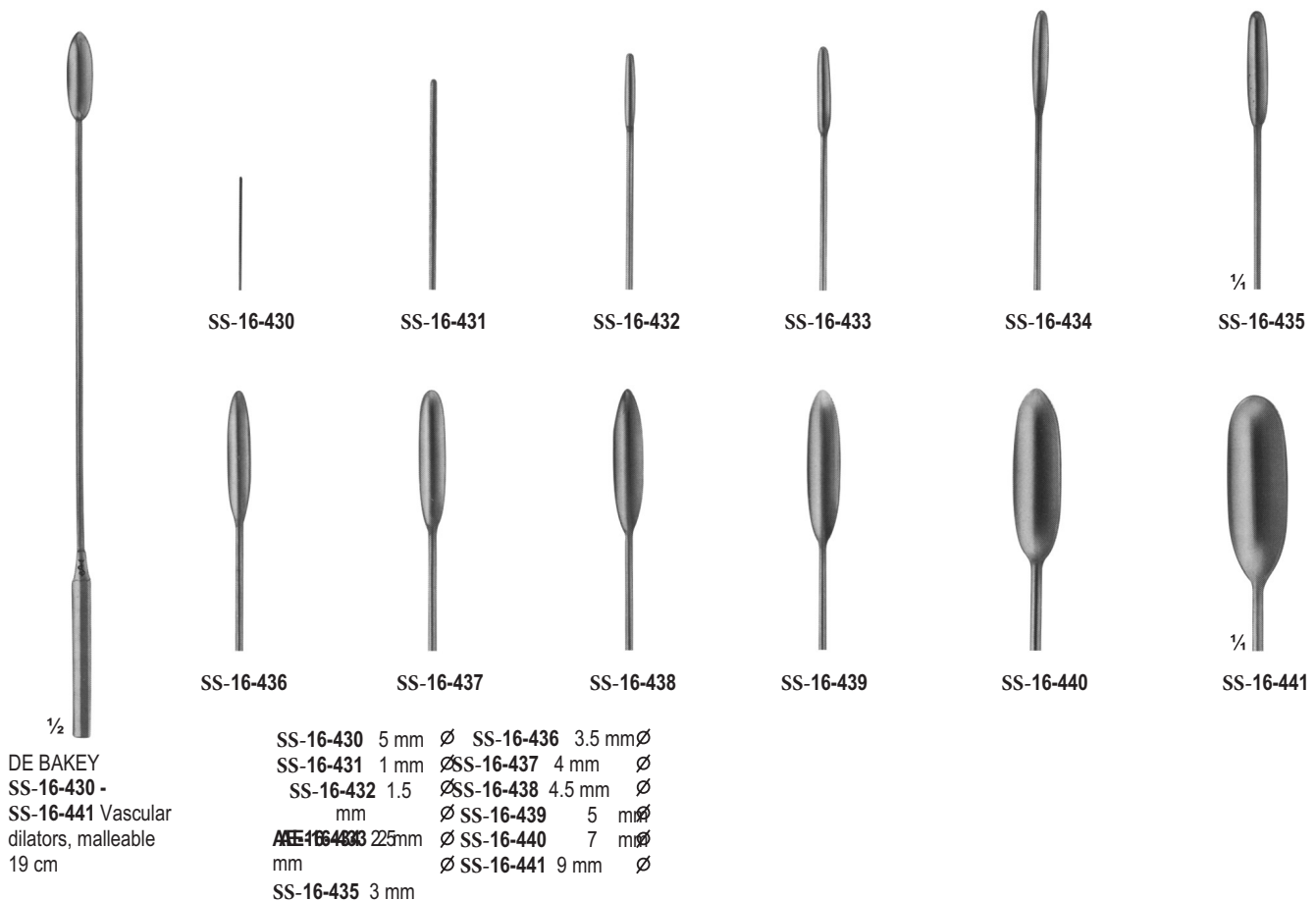
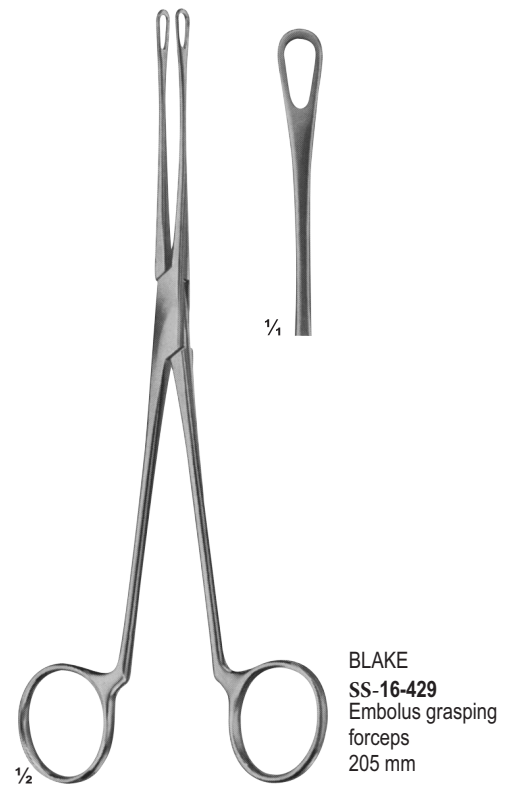
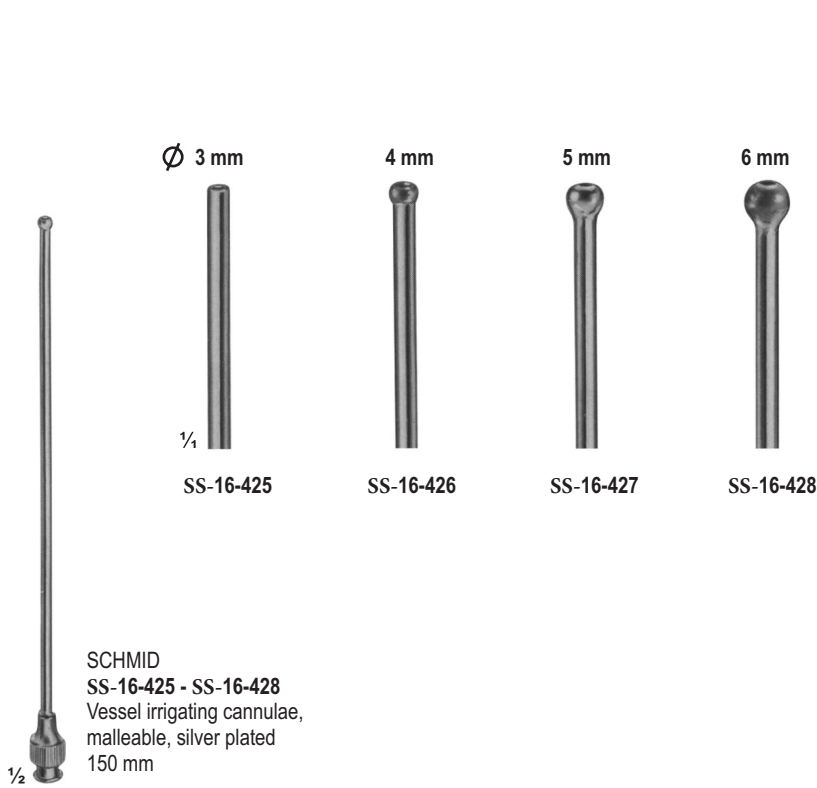
- DE BAKEY
- SS-16-380 150 mm
  - SS-16-381 200 mm
  - SS-16-382 240 mm
  - SS-16-383 300 mm

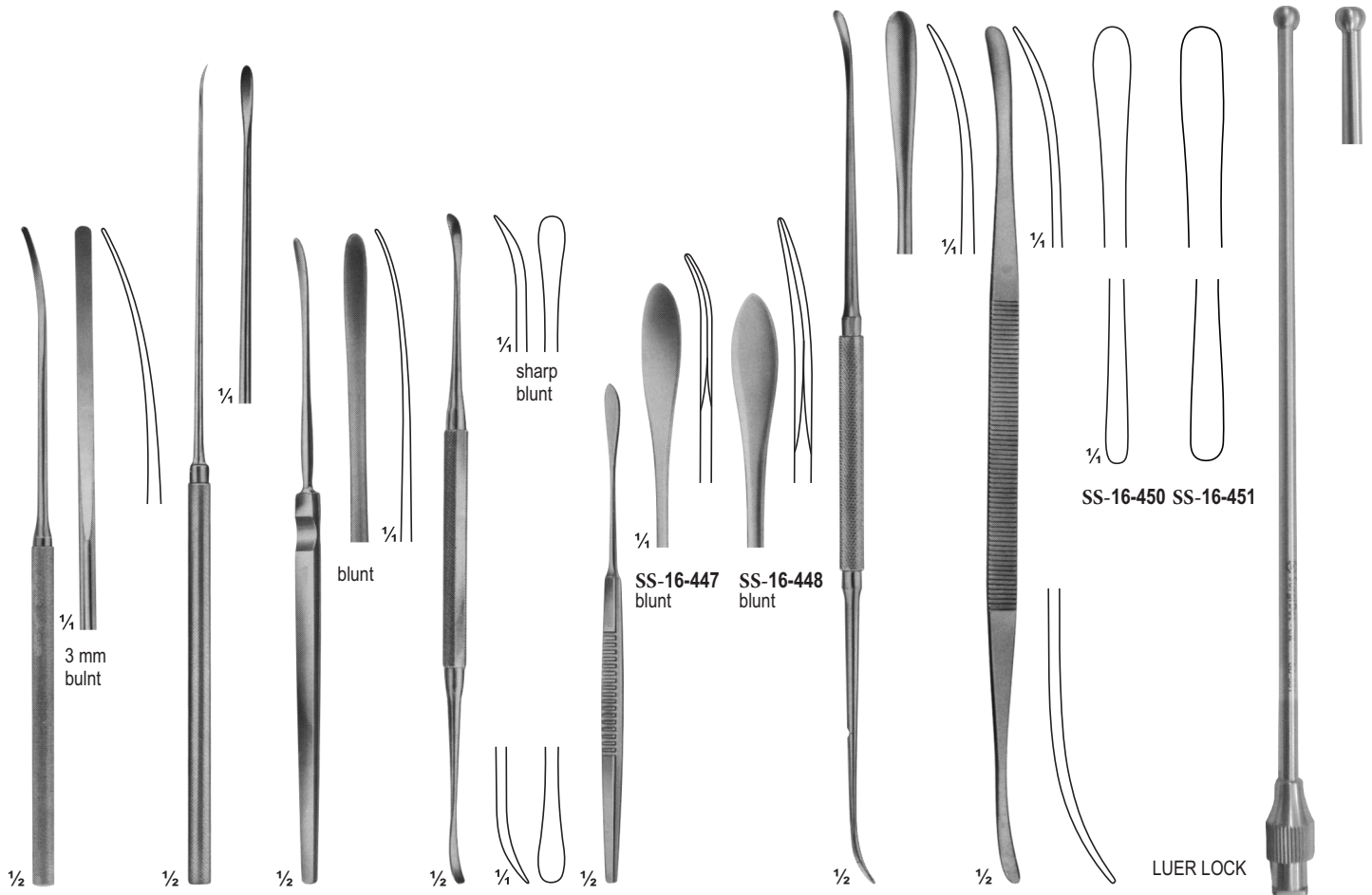


SS-16-384 3,3 mm  
 SS-16-385 3,3 mm  
 SS-16-386 3,3 mm

- DE BAKEY
- SS-16-384 200 mm
  - SS-16-385 240 mm
  - SS-16-386 300 mm







SS-16-442  
180 mm  
SS-16-443  
215 mm

SS-16-444  
230 mm

SS-16-445  
HALLE  
180 mm

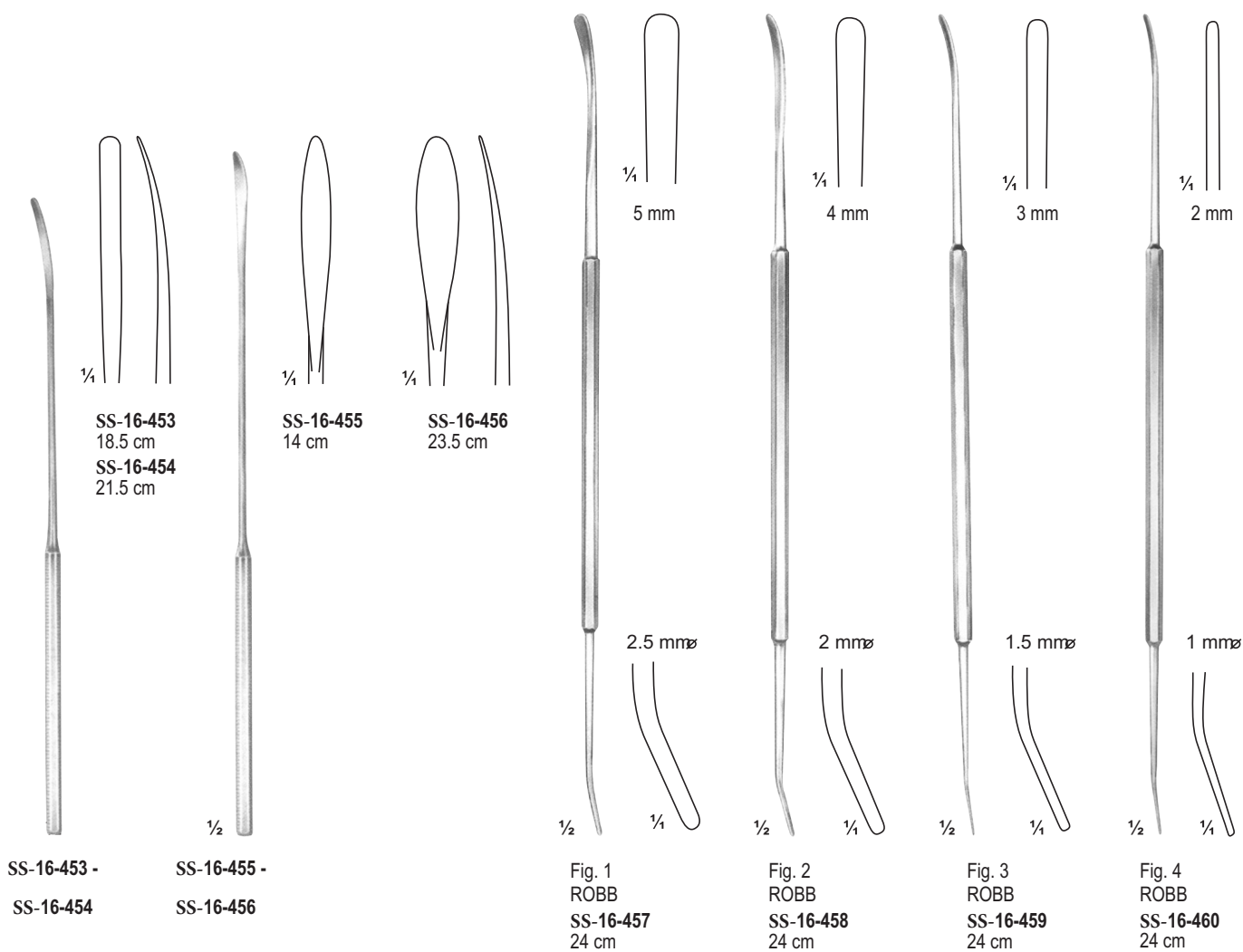
SS-16-446  
FREER  
sharp/blunt  
185 mm

SS-16-447 -  
SS-16-448 SCHMID  
140 mm  
235 mm

SS-16-449  
DAVIS  
245 mm

SS-16-450 -  
SS-16-451 TONNIS  
240 mm

SS-16-452  
SCHMID  
Vessel Irrigating  
Cannulae  
150 mm, 6"  
3, 4, 5, 6 mm





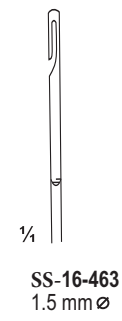
CRILE  
SS-16-461  
20 cm



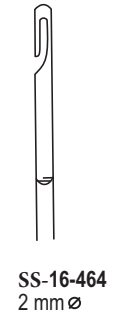
CRILE  
SS-16-462  
20.5 cm



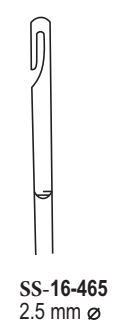
SS-16-463 -  
SS-16-466 26 cm



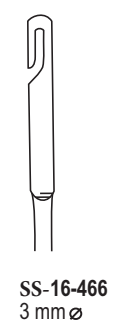
SS-16-463  
1.5 mm  $\varnothing$



SS-16-464  
2 mm  $\varnothing$

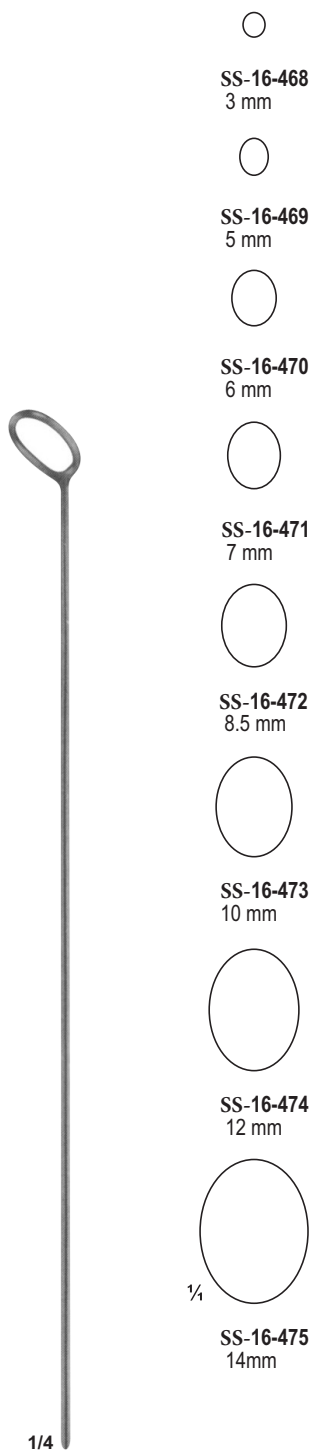


SS-16-465  
2.5 mm  $\varnothing$



SS-16-466  
3 mm  $\varnothing$





SS-16-467 - SS-16-475  
Endarterectomy strippers  
55 cm

○  
SS-16-468  
3 mm

○  
SS-16-469  
5 mm

○  
SS-16-470  
6 mm

○  
SS-16-471  
7 mm

○  
SS-16-472  
8.5 mm

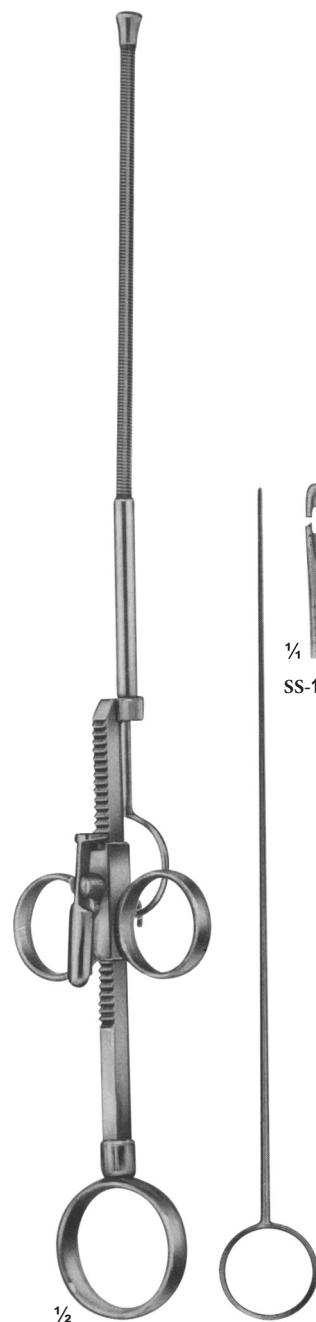
○  
SS-16-473  
10 mm

○  
SS-16-474  
12 mm

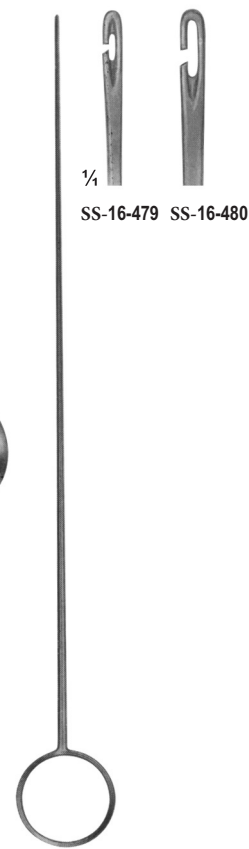
○  
SS-16-475  
14mm



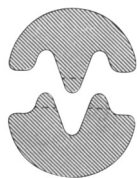
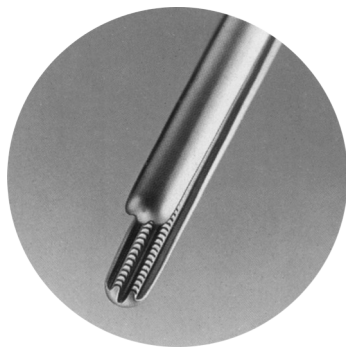
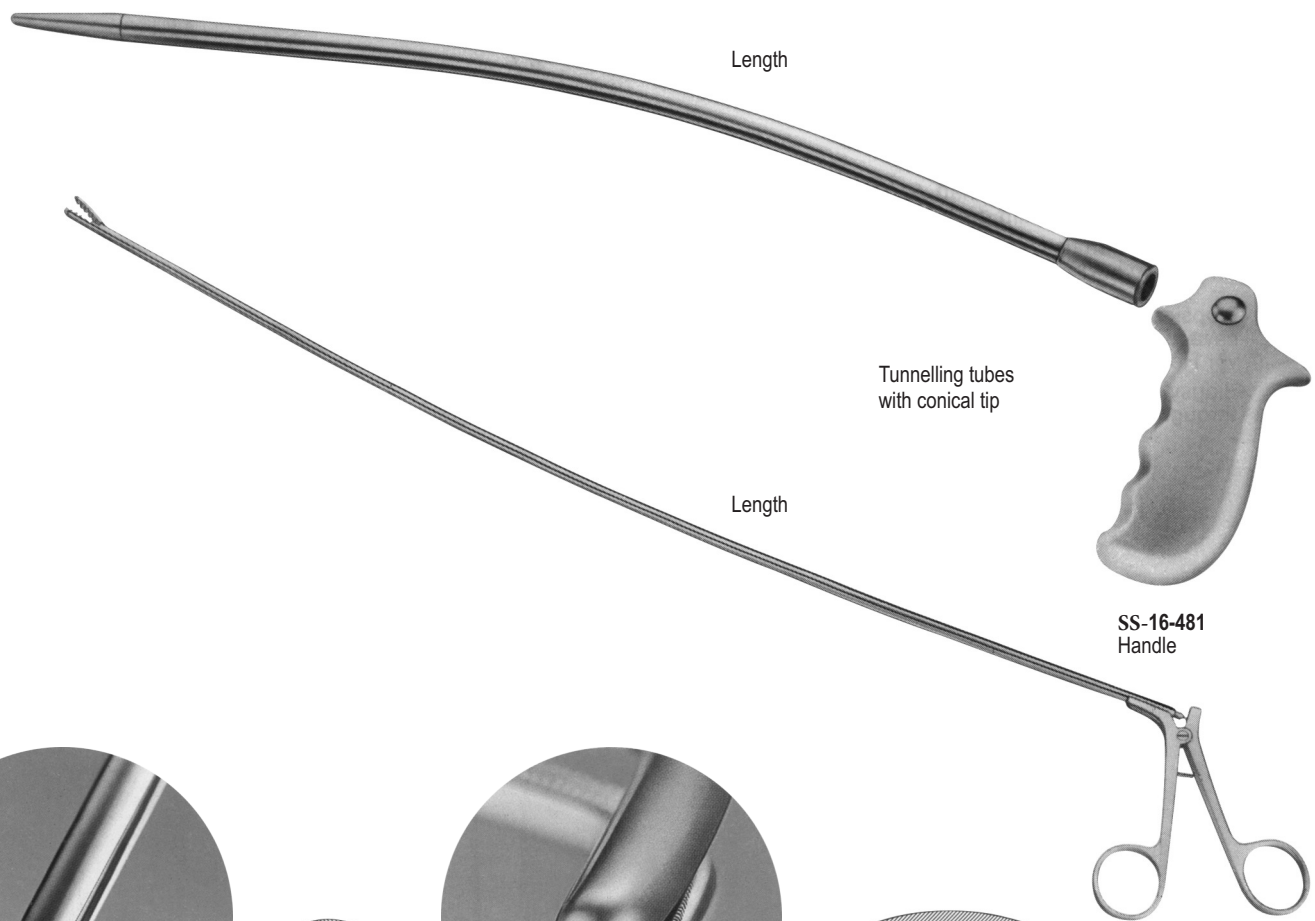
SS-16-476  
Handle for  
11 cm



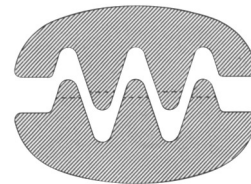
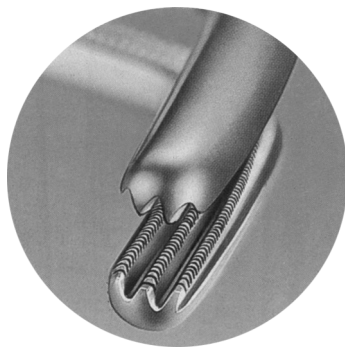
RUMEL-BELBONT  
SS-16-477 -  
SS-16-478 32.5 cm  
SS-16-477 - 4 mm  $\phi$   
SS-16-478 - 6.4 mm  $\phi$



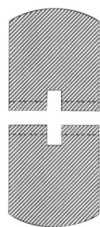
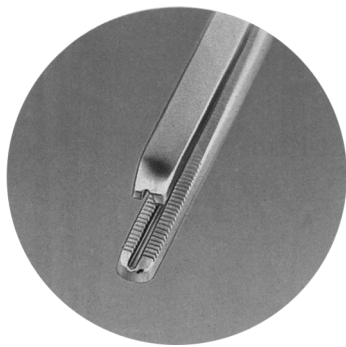
SS-16-479 -  
SS-16-480 Guide only



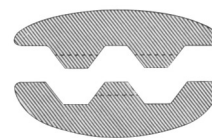
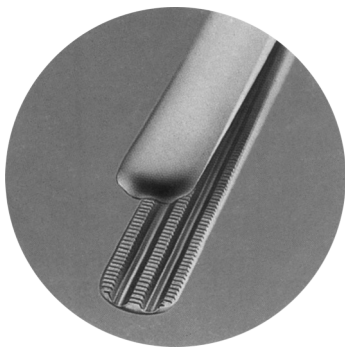
DE BAKEY  
SS-16-482  
1 : 2 rows of teeth



DE BAKEY  
SS-16-483  
2 : 3 rows of teeth

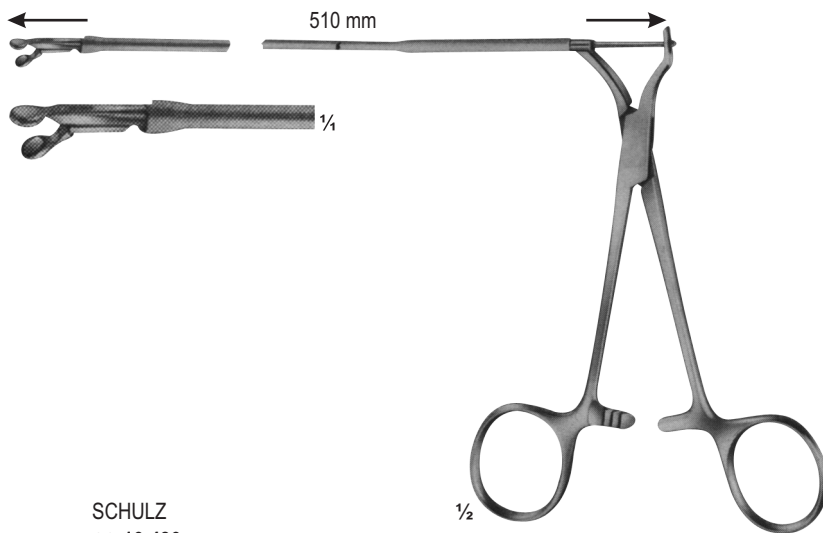


COOLEY  
SS-16-484  
2 : 2 rows of teeth

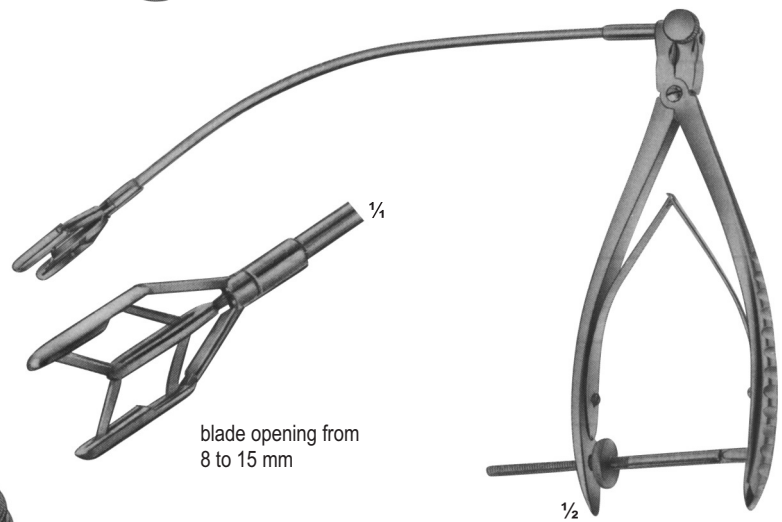


DARDIK  
SS-16-485  
2 : 3 rows of teeth

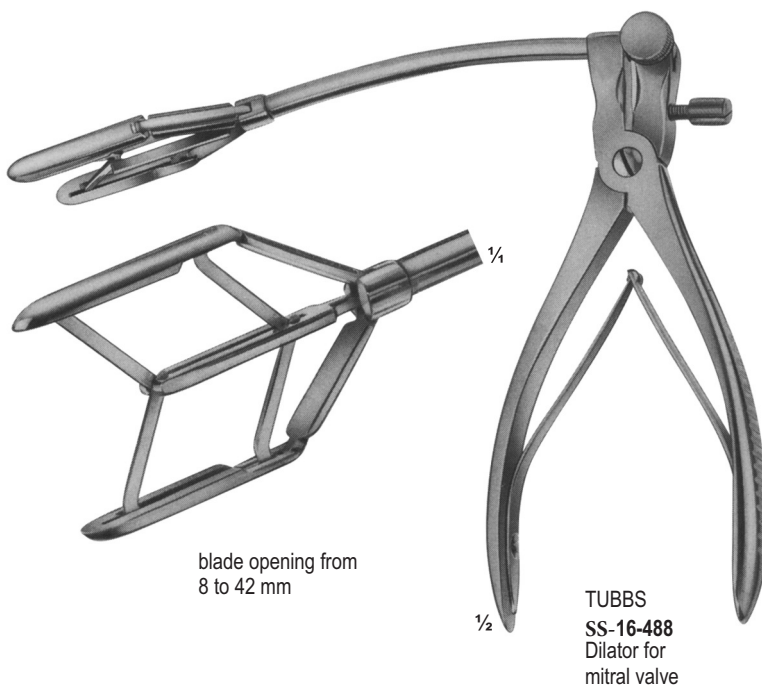
SS-16-482 -  
SS-16-485 Forceps



**SCHULZ**  
**SS-16-486**  
 Biopptome, mit flexiblen Schaft, 510 mm lang,  
 with round jaws 3 mm diam.  
 Biopsy forceps, for biopsy from the right atrium  
 through cava juglaris, prior to heart implantations.



**COOLEY**  
**SS-16-487**  
 Dilator for  
 mitral valve  
 for children





1/2 SCHUMACHER  
Sternum shears  
SS-16-489  
210 mm



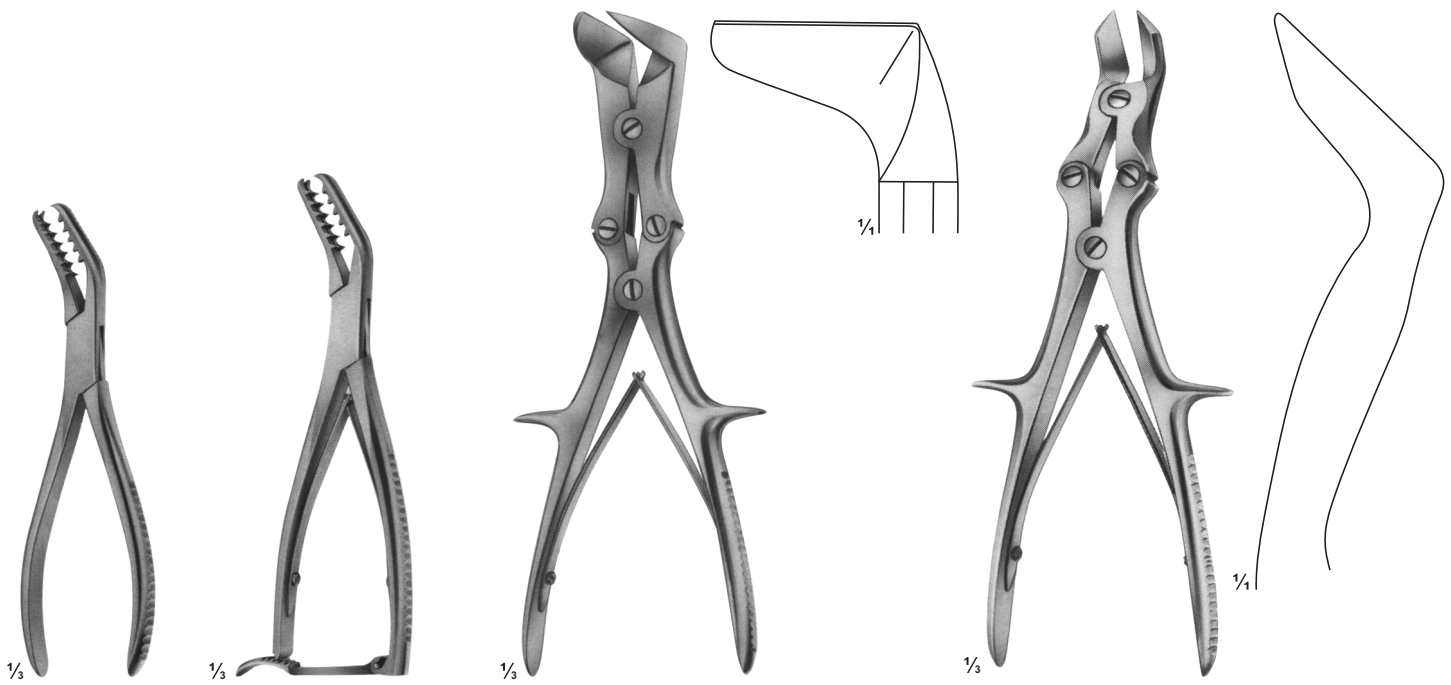
1/3 GIERTZ-STILLE  
SS-16-490  
250 mm



1/2 GLUCK  
SS-16-491  
190 mm



1/3 BRUNNER  
Universal Pattern  
SS-16-492  
340 mm

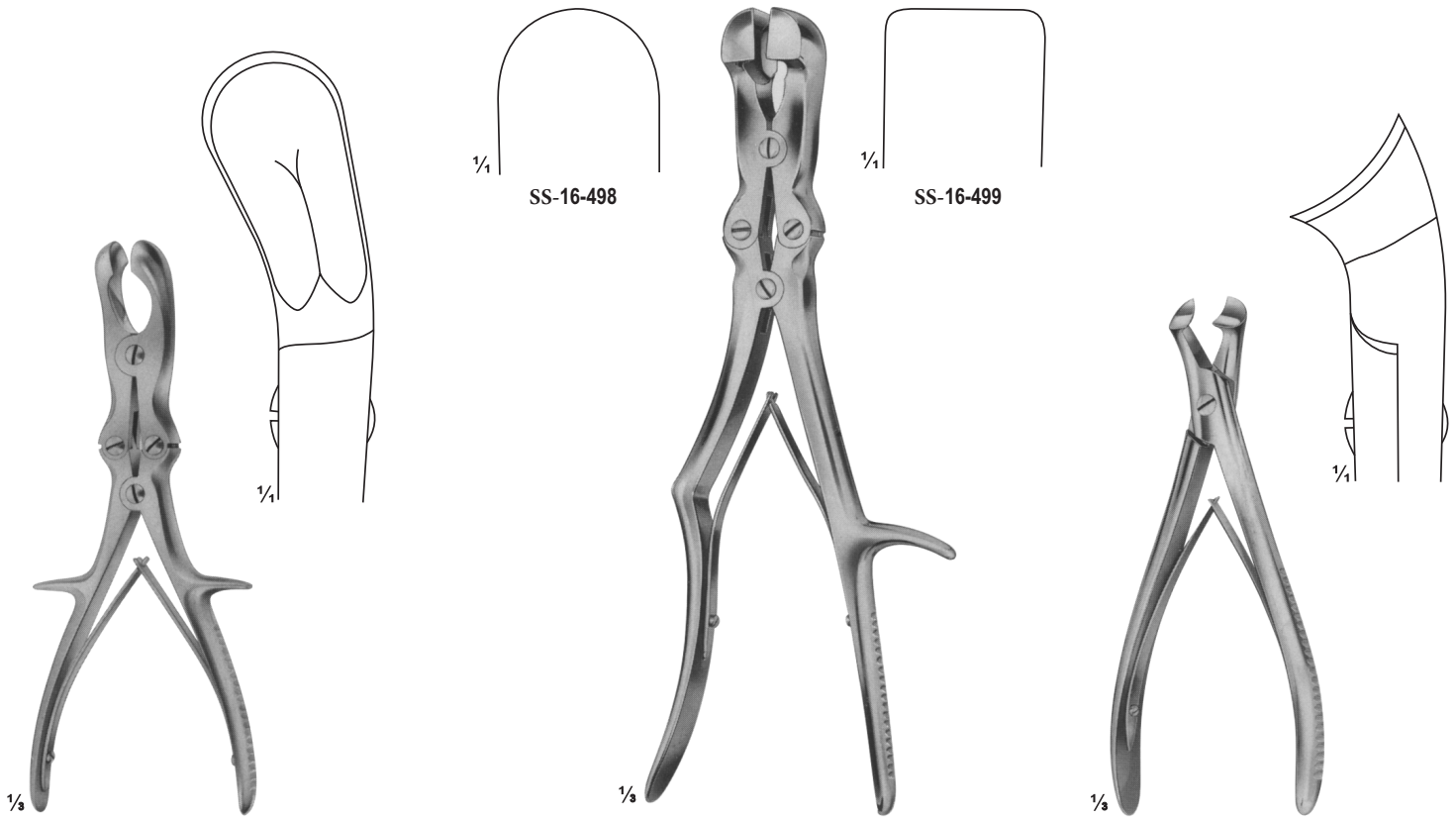


**SS-16-493**  
SEMB  
Rib-and Bone  
Holding forceps  
190 mm

**SS-16-494**  
SEMB  
Rib-and Bone  
Holding forceps  
190 mm

**SS-16-495**  
LISTON-STILLE  
265 mm

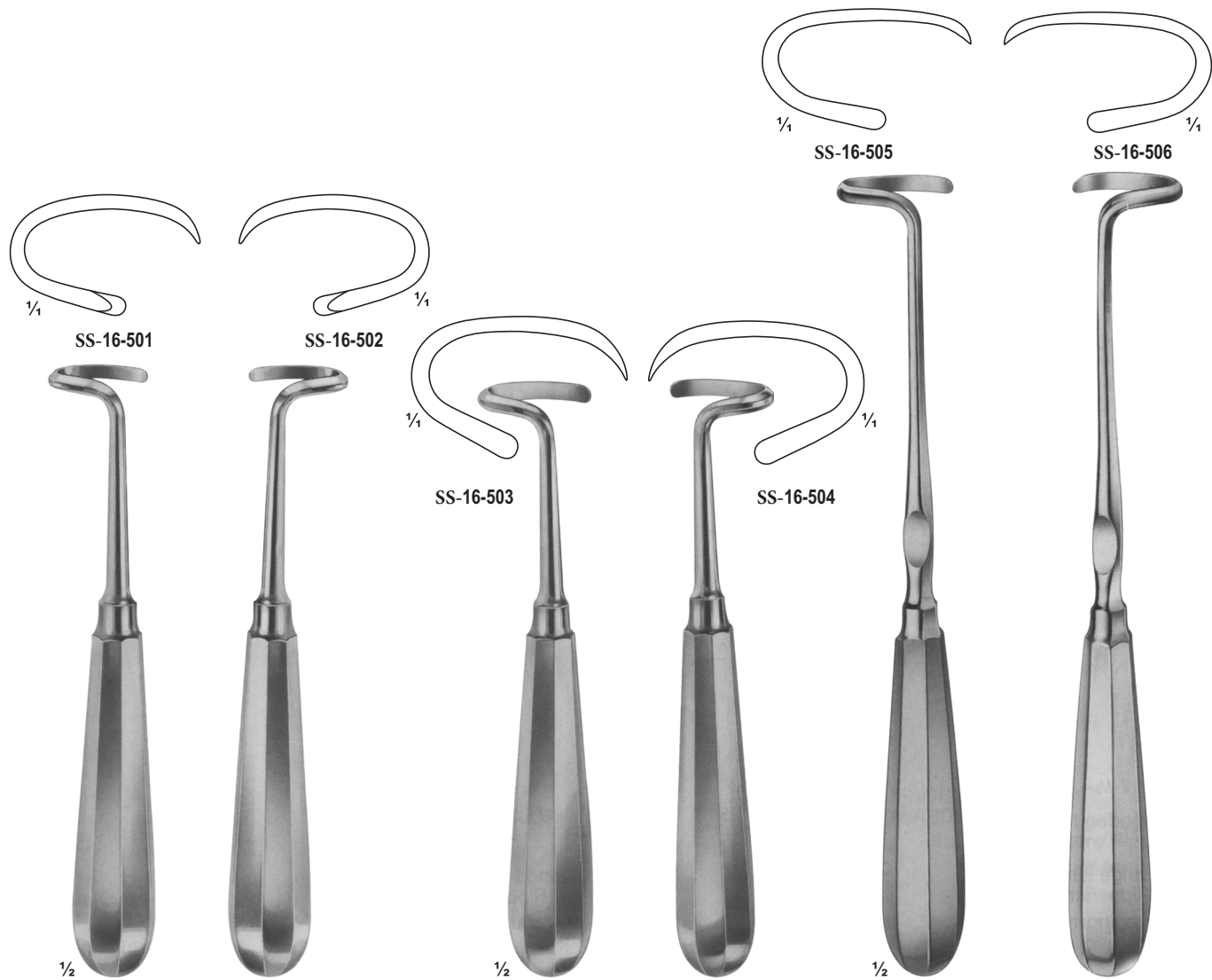
**SS-16-496**  
LISTON-KEY-HORSLEY  
255 mm



**SS-16-497**  
**SEME**  
 Rib Rongeur to shorten  
 the rib stumps  
 240 mm

**SS-16-498 - SS-16-499**  
**SAUERDRUCH-CORYLLOS**  
 Rib rongeurs to shortn  
 the rib stumbes  
 310 mm

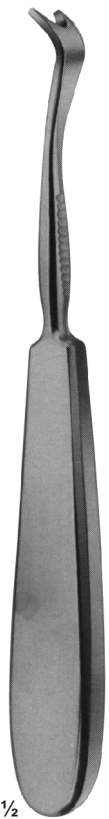
**SS-16-500**  
**MARKWALDER Rib**  
 Rongeur to Round the  
 rib stumps  
 190 mm



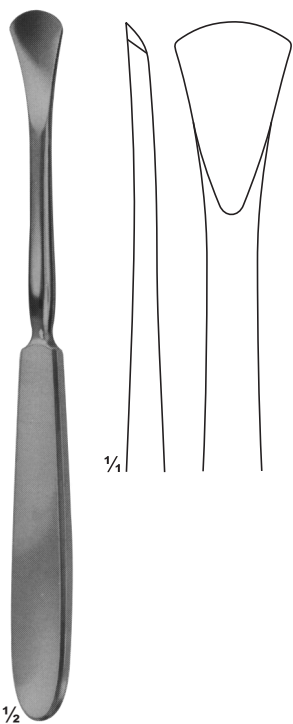
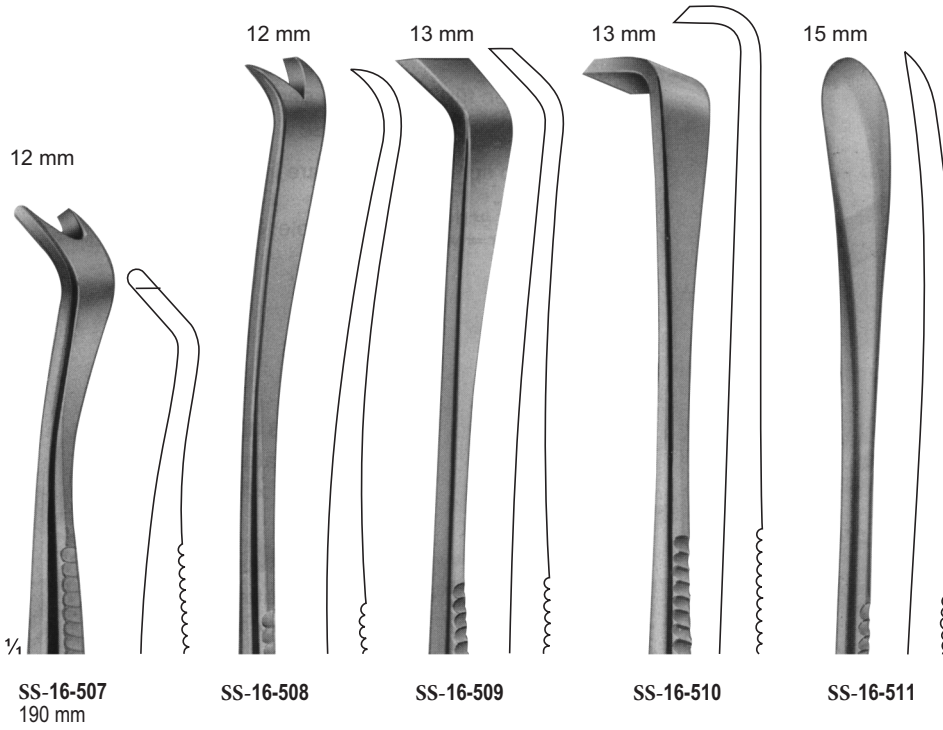
SS-16-501 -  
SS-16-502 DOYEN  
for children  
175 mm

SS-16-503 -  
SS-16-504 DOYEN  
for adults  
175 mm

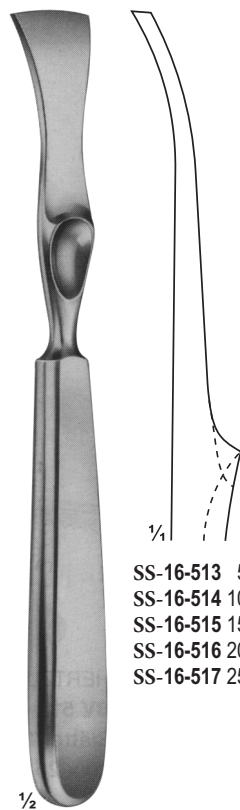
SS-16-505 -  
SS-16-506 DOYEN  
240 mm



1/2  
SS-16-507 -  
SS-16-511 SEMB  
230 mm

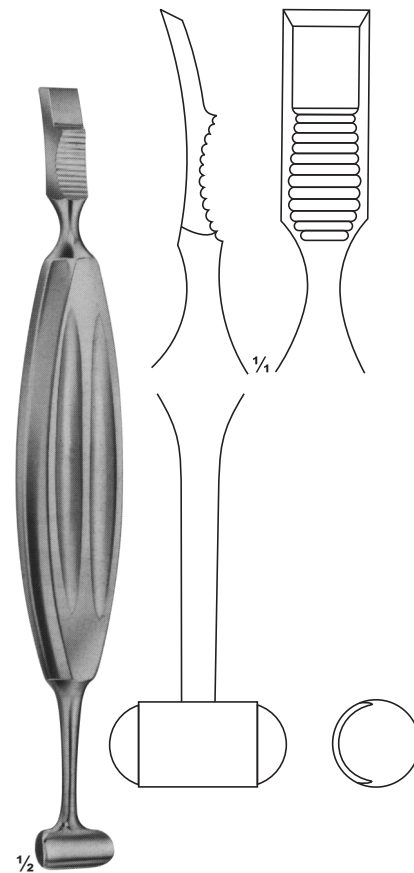


1/2  
SS-16-512  
LANGENBECK  
190 mm



1/2  
SS-16-513 -  
SS-16-517  
LAMBOTTE  
215 mm

- SS-16-513 5 mm
- SS-16-514 10 mm
- SS-16-515 15 mm
- SS-16-516 20 mm
- SS-16-517 25 mm



1/2  
SS-16-518  
ALEXANDER  
210 mm



WE HAVE ALL RANGE OF INSTRUMENTS



## CONTACT INFO



+92-340 0473111



swisons.ind@gmail.com



www.swisons.com



Small Industrial Estate, Sialkot 51310 Pakistan

Get your high quality Instruments