



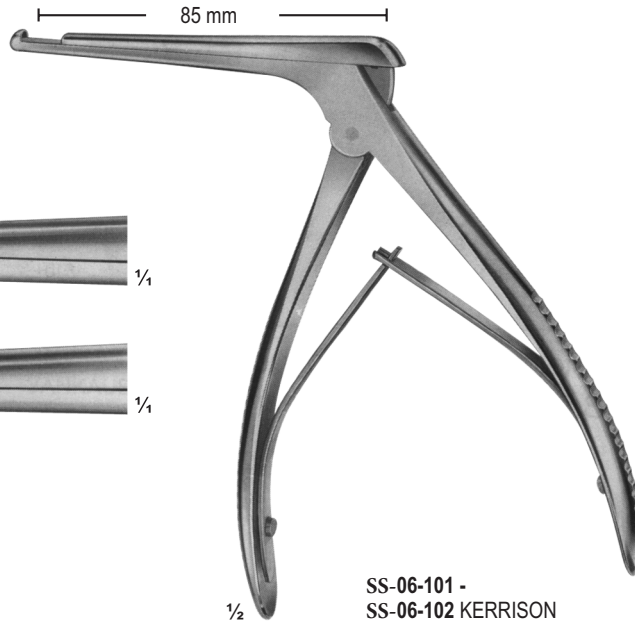
# SWISONS

SURGICALS

- Dissecting and Tissue Forceps



90° upwards cutting



SS-06-101  
4 mm

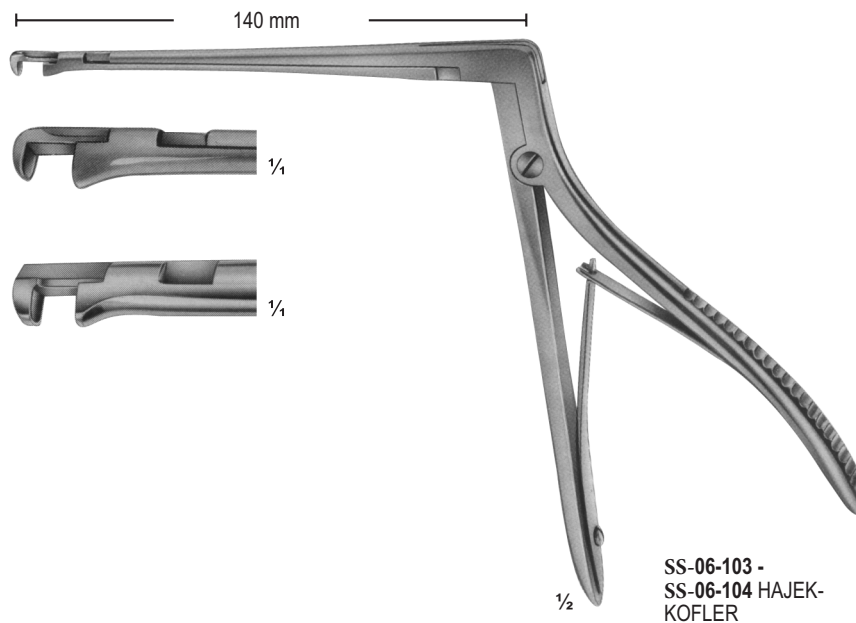


SS-06-102  
5 mm



SS-06-101 -  
SS-06-102 KERRISON

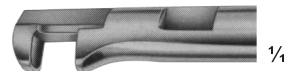
90° upwards cutting



SS-06-103  
3,3 mm



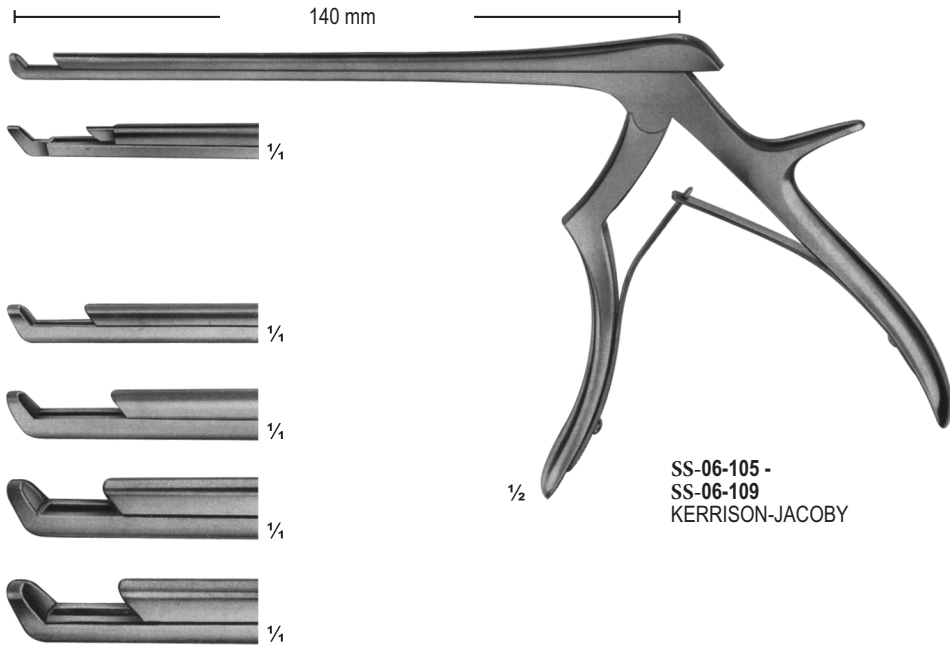
SS-06-104  
4,0 mm



SS-06-103 -  
SS-06-104 HAJEK-  
KOFLER

130°

upwards cutting



SS-06-105  
1 mm

SS-06-106  
2 mm

SS-06-107  
3 mm

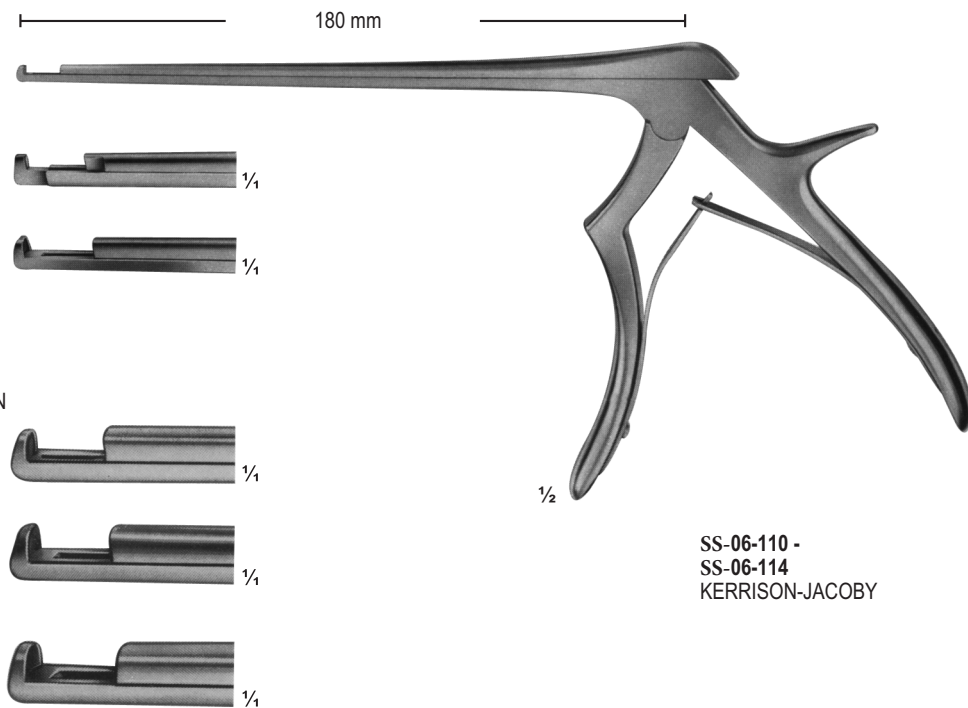
SS-06-108  
4 mm

SS-06-109  
5 mm

SS-06-105 -  
SS-06-109  
KERRISON-JACOBY

90°

upwards cutting



SS-06-110  
1 mm

SS-06-111  
2 mm

FERRIS-SMITH-KERRISON

SS-06-112  
3 mm

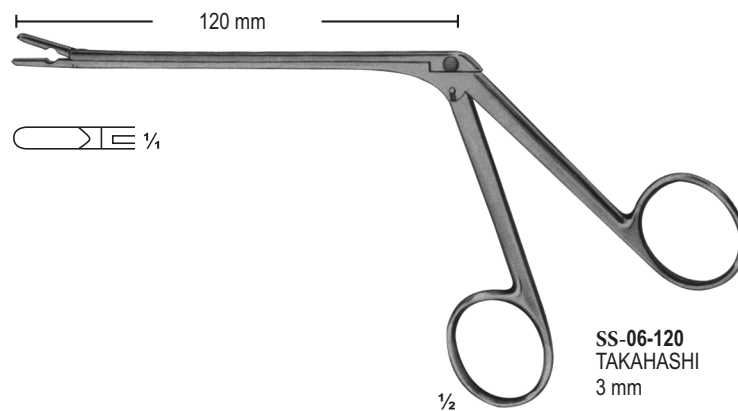
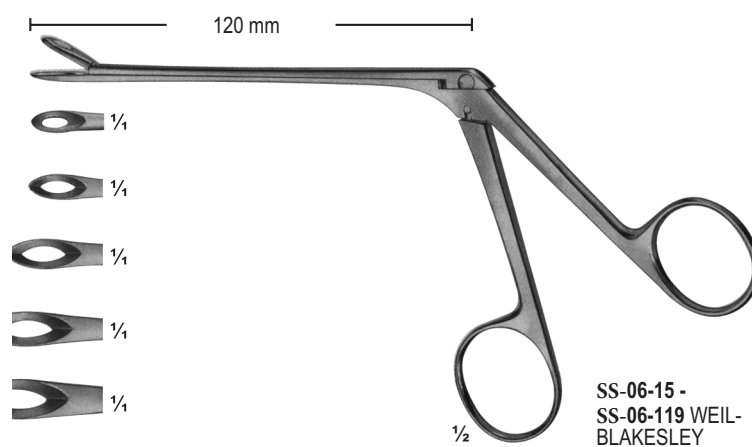
SS-06-113  
4 mm

SS-06-114  
5 mm

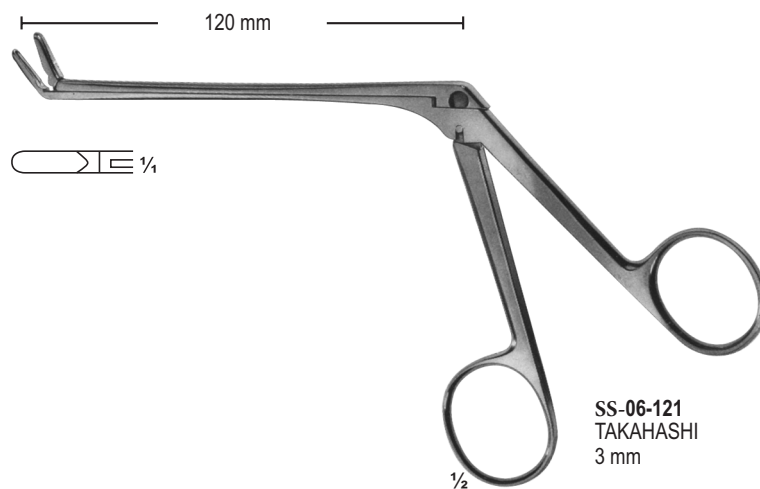
SS-06-110 -  
SS-06-114  
KERRISON-JACOBY

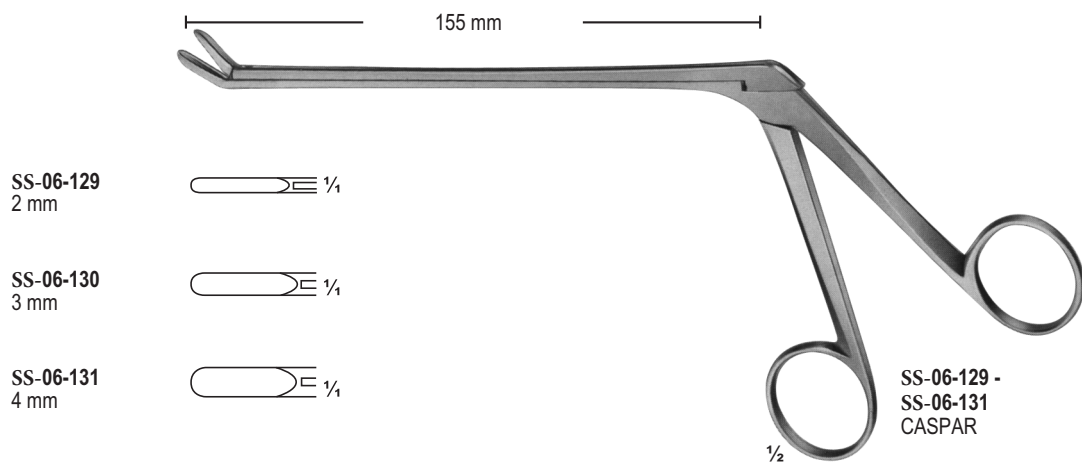
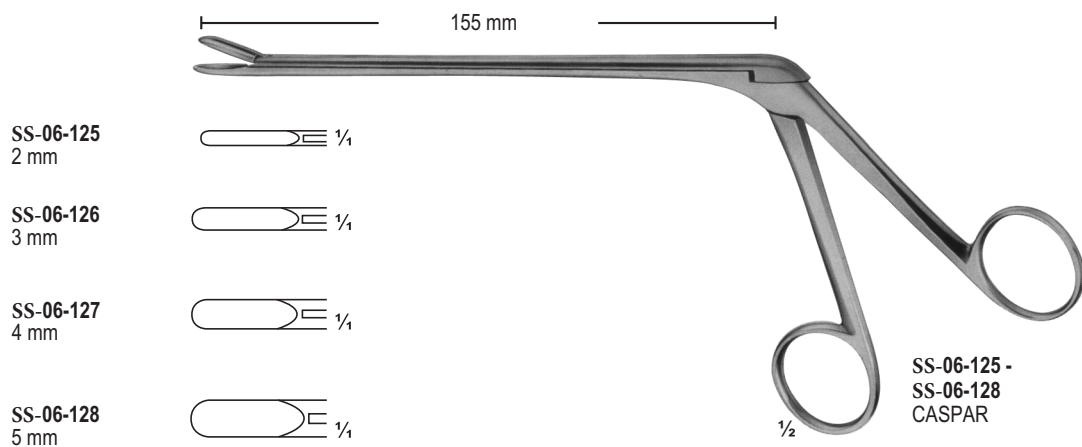
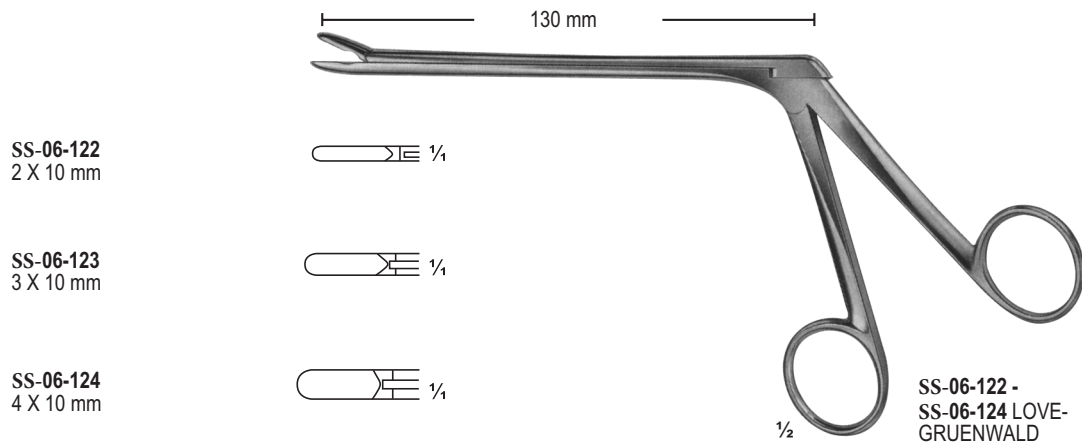
Angled positions for rongeurs



- SS-06-115  
3,0 mm
- SS-06-116  
3,6 mm
- SS-06-117  
4,2 mm
- SS-06-118  
4,8 mm
- SS-06-119  
5,8 mm

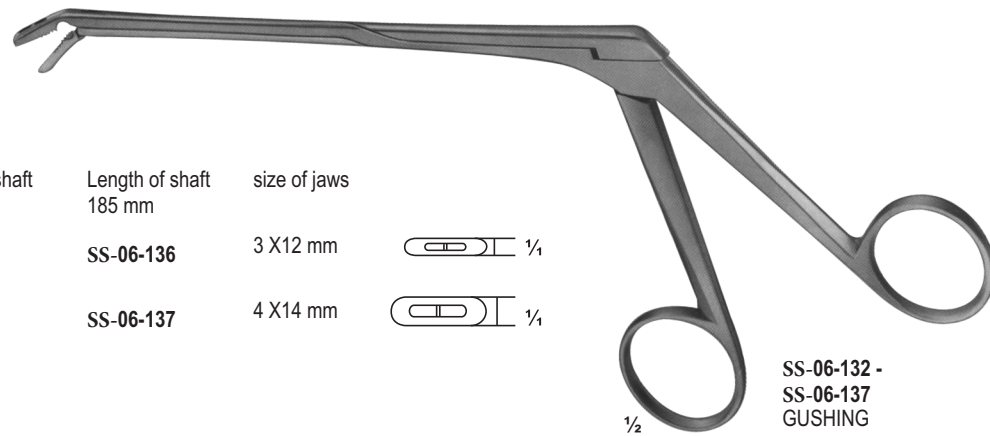


130°





Length of shaft 140 mm	Length of shaft 160 mm	Length of shaft 185 mm	size of jaws
SS-06-132	SS-06-134	SS-06-136	3 X12 mm  1/4
SS-06-133	SS-06-135	SS-06-137	4 X14 mm  1/4



SS-06-132 -  
SS-06-137  
GUSHING

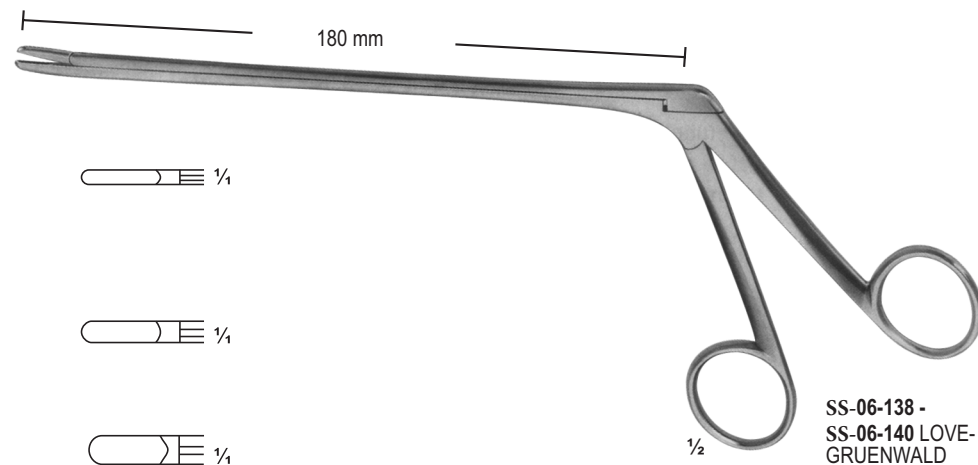
SS-06-138  
2 X 10 mm  
GUSHING

SS-06-139  
3 X 10 mm  
LOVE-GRUENWALD

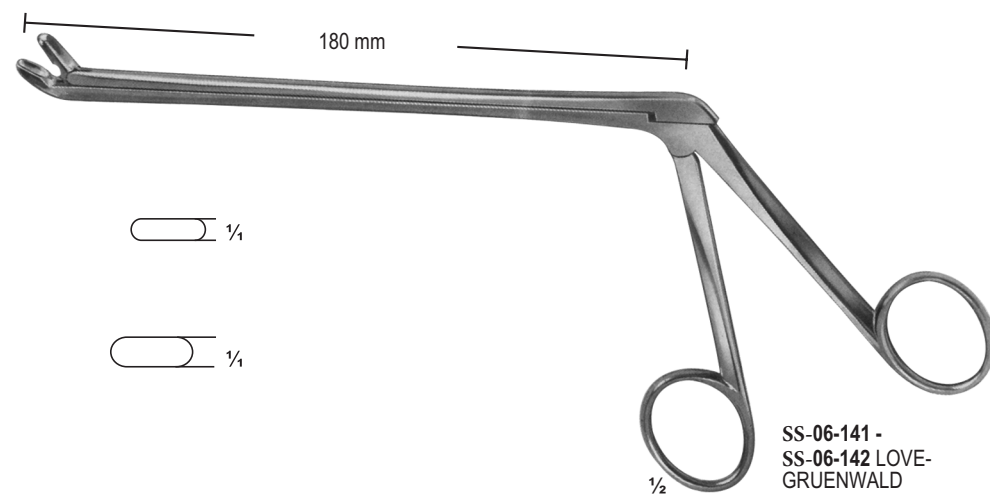
SS-06-140  
4 X 10 mm  
SPURLING

SS-06-141  
3 X 10 mm  
LOVE-GRUENWALD

SS-06-142  
4 X 10 mm  
SPURLING

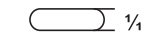


SS-06-138 -  
SS-06-140 LOVE-  
GRUENWALD

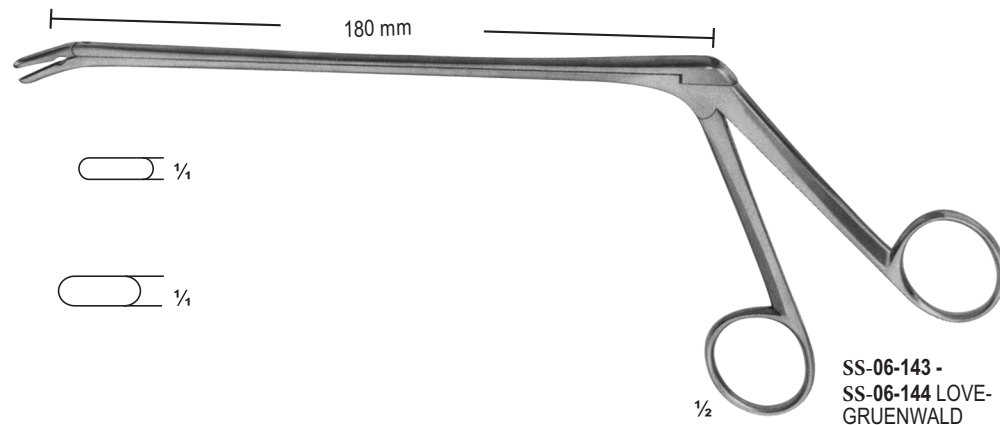


SS-06-141 -  
SS-06-142 LOVE-  
GRUENWALD

SS-06-143  
3 X 10 mm  
LOVE-GRUENWALD

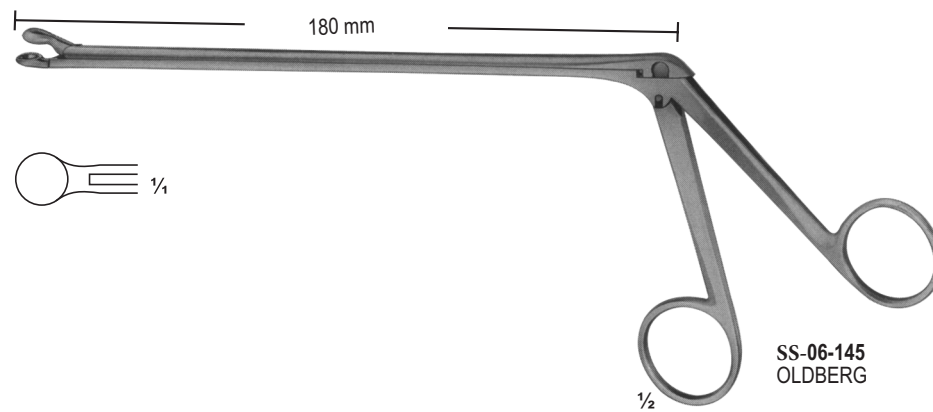


SS-06-144  
4 X 10 mm  
SPURLING



SS-06-143 -  
SS-06-144 LOVE-  
GRUENWALD

SS-06-145  
7 mm

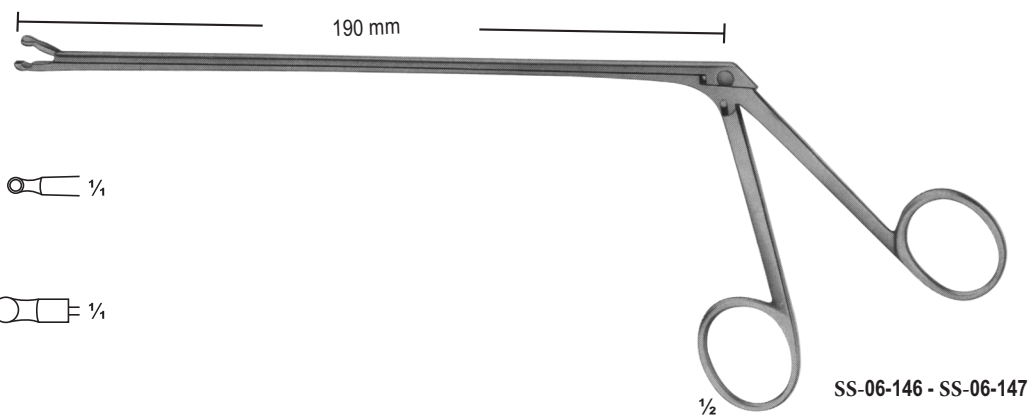


SS-06-145  
OLDBERG

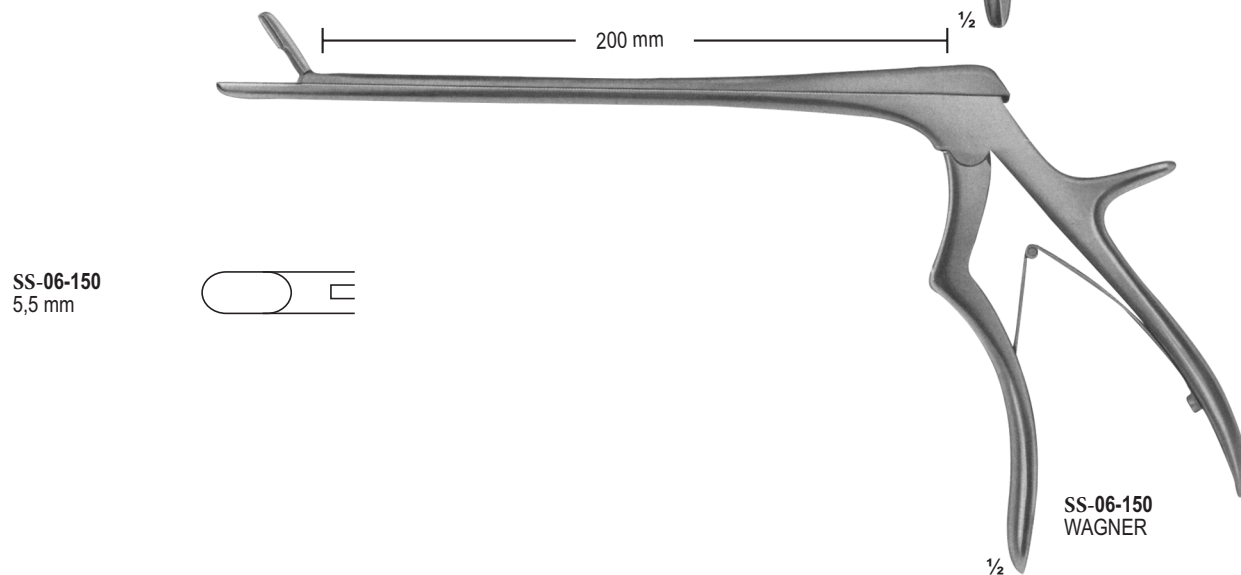
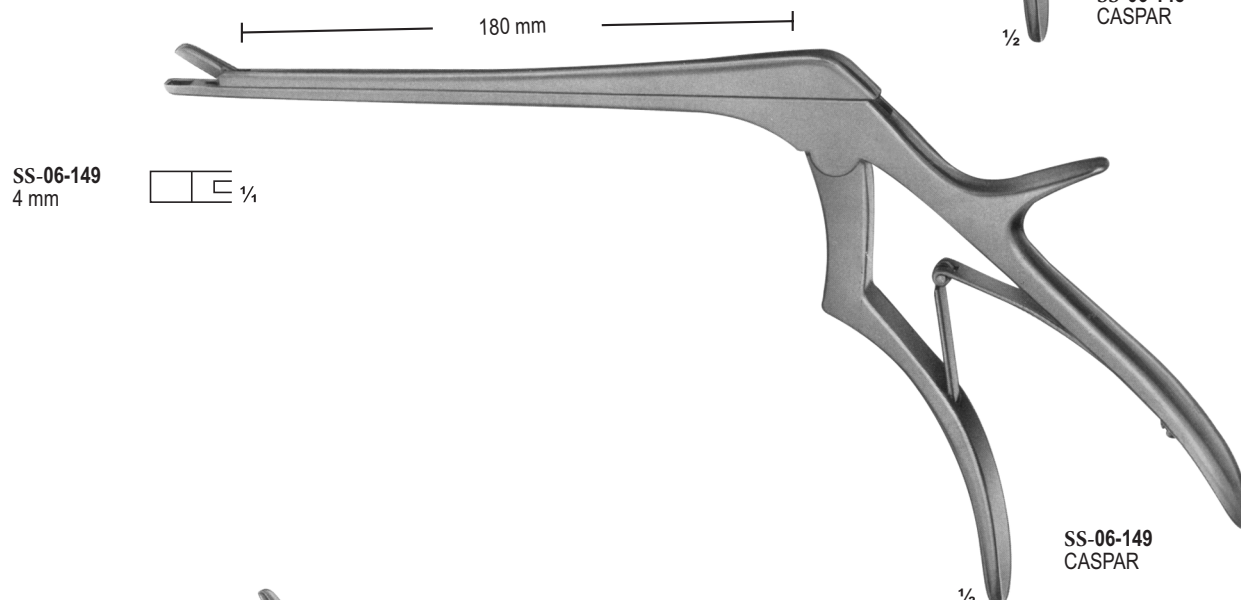
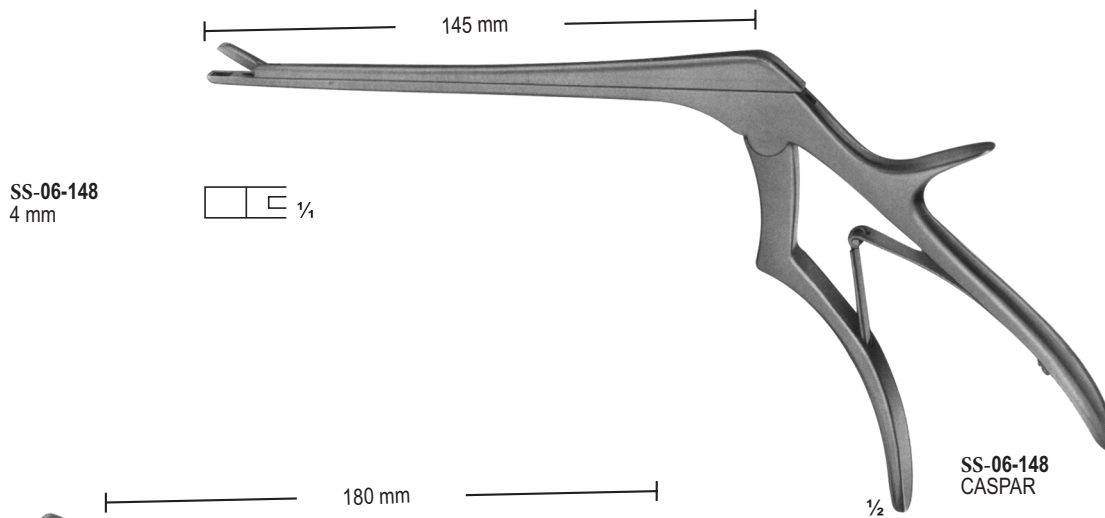
SS-06-146  
YASARGIL  
2,2 mm



SS-06-147  
YASARGIL  
3,5 mm



SS-06-146 - SS-06-147





90° upwards cutting

85 mm

SS-06-151  
4 mm

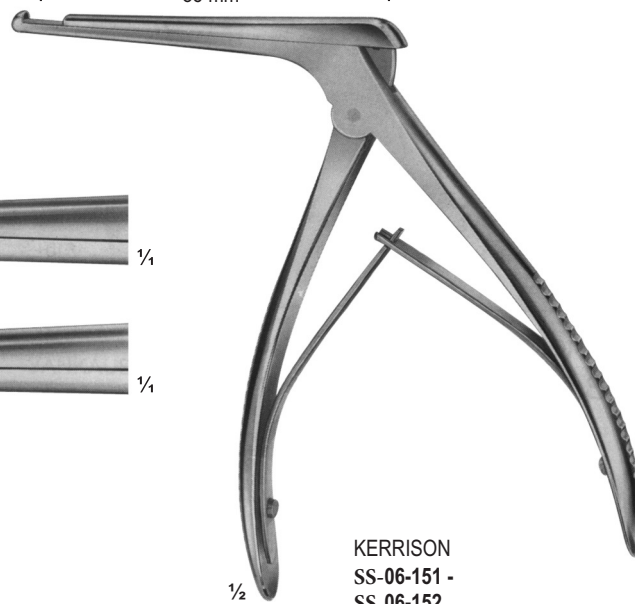


1/4

SS-06-152  
5 mm



1/4



1/2

KERRISON  
SS-06-151 -  
SS-06-152

90° upwards cutting

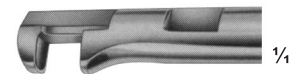
140 mm

SS-06-153  
3.3 mm

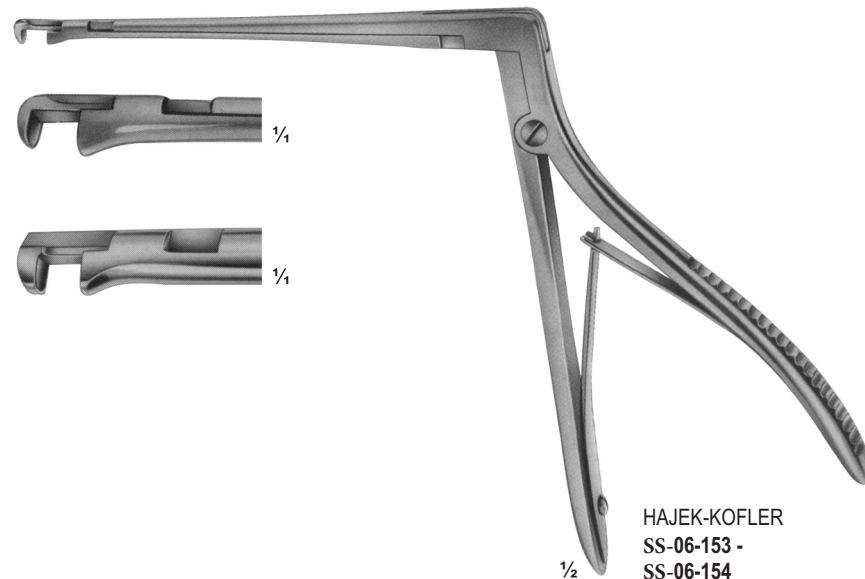


1/4

SS-06-154  
4 mm

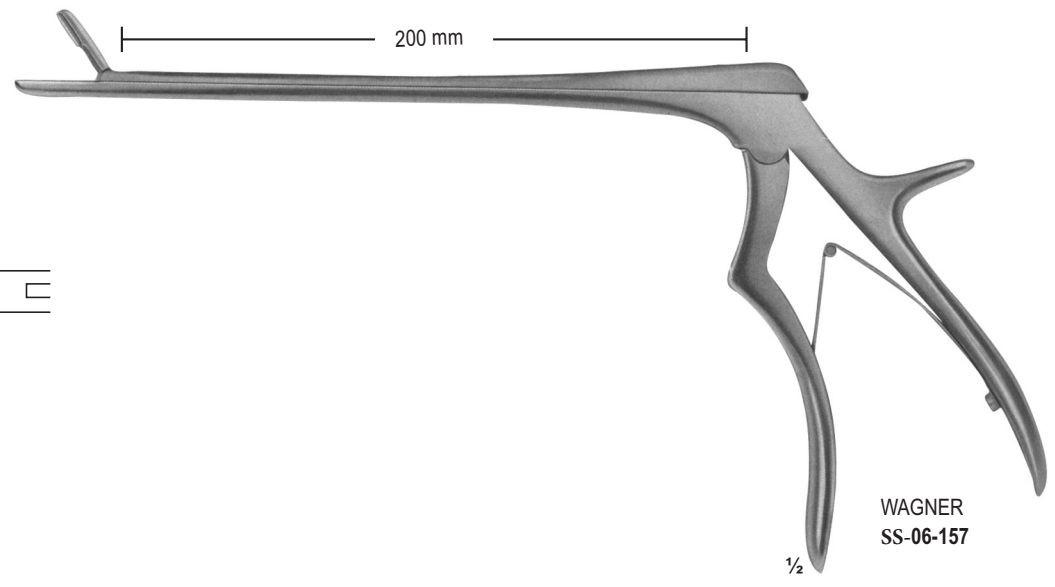
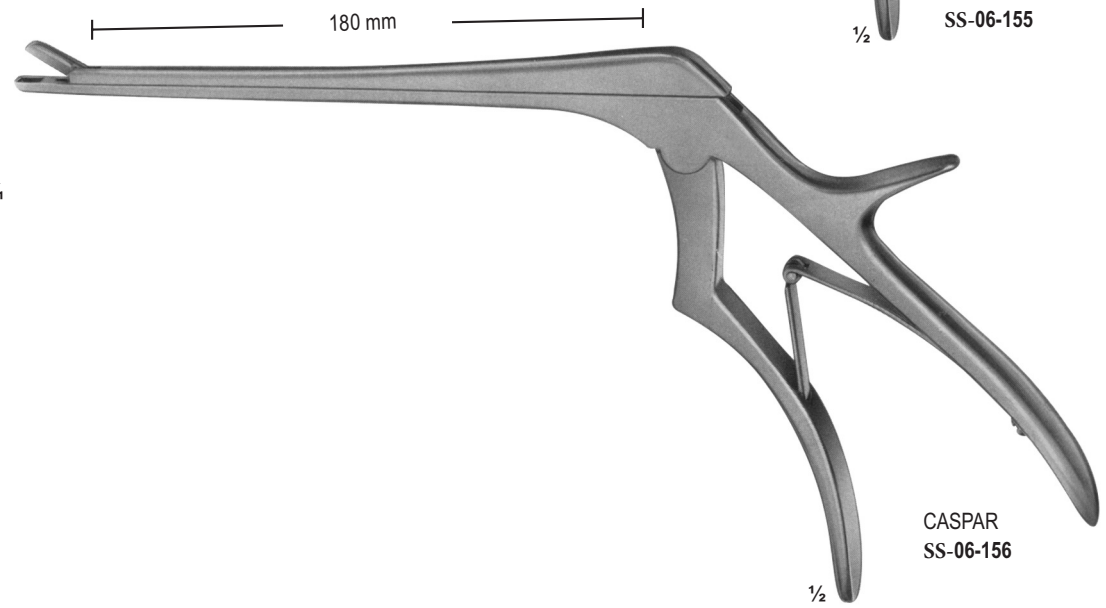
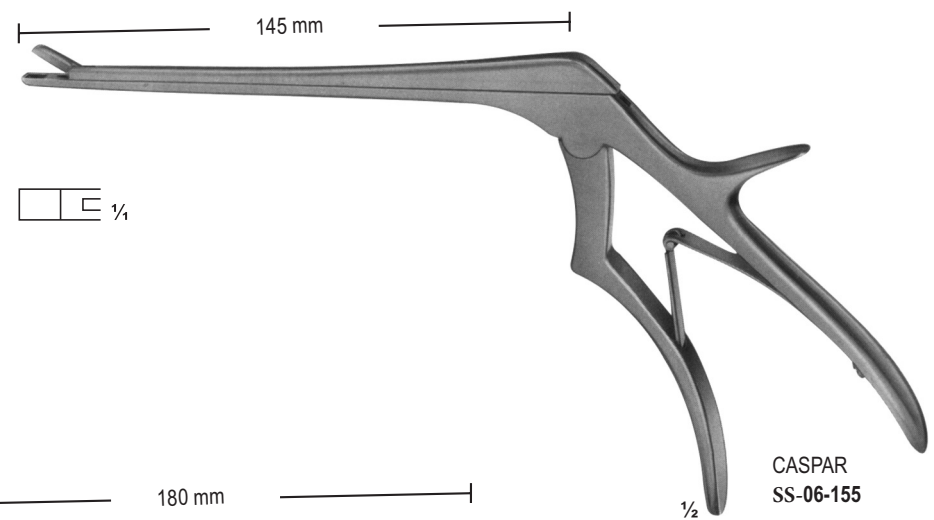


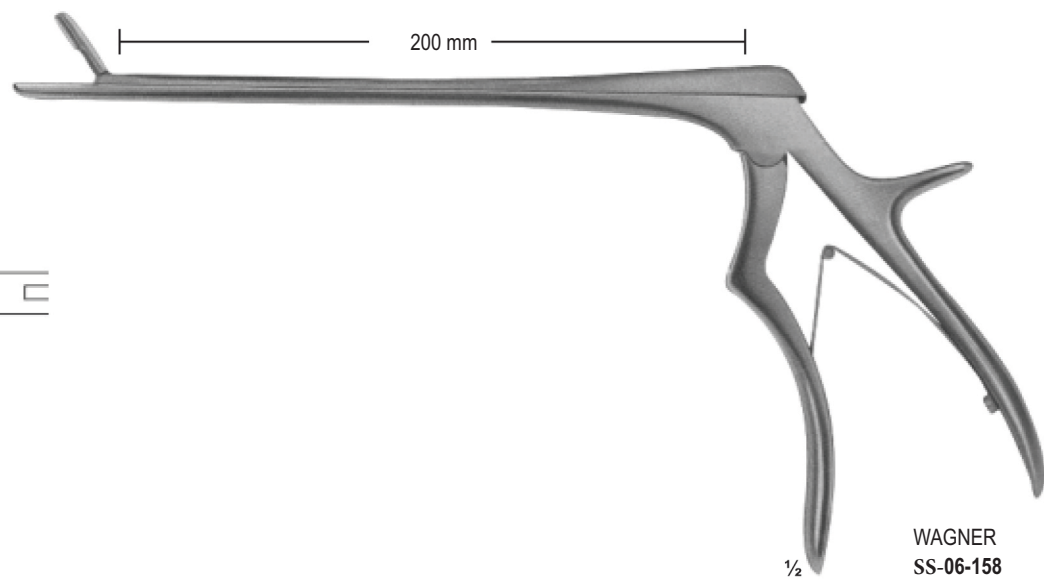
1/4



1/2

HAJEK-KOFLER  
SS-06-153 -  
SS-06-154





SS-06-158  
5.5 mm

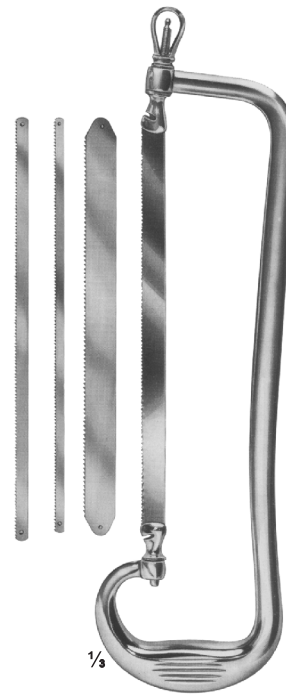


1/2

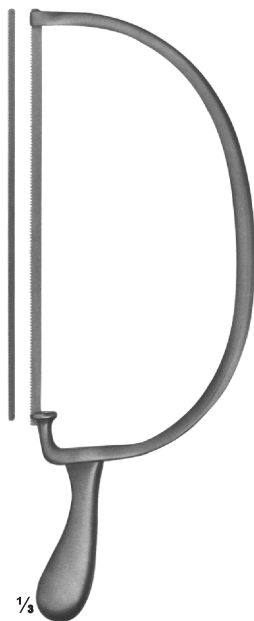
WAGNER  
SS-06-158



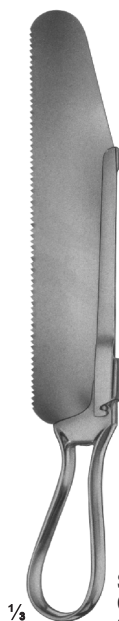
**SS-06-159**  
**CHARRIEER**  
 Length of blade  
 215 mm  
 complete with one saw  
 blade each  
 350 mm  
 Spare saw blades, carbon steel  
**SS-06-160** 12 mm  
**SS-06-161** 20 mm



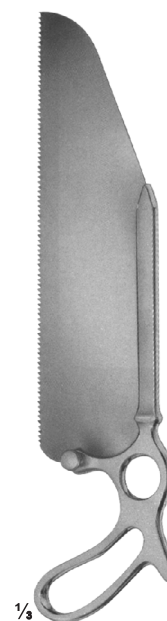
**SS-06-162**  
**RUST**  
 Length of blade  
 235 mm  
 complete with one saw  
 blade each  
 390 mm  
**SS-06-163** Bow only Spare  
 saw blades, carbon steel  
**SS-06-164** 6 mm  
**SS-06-165** 12 mm  
**SS-06-166** 20 mm



**SS-06-167**  
**BIER**  
 Length of blade  
 270 mm  
 complete with one saw  
 blade each  
 420 mm  
 Spare saw blades, carbon steel  
**SS-06-168** 4 mm  
**SS-06-169** 6 mm  
**SS-06-170** 8 mm



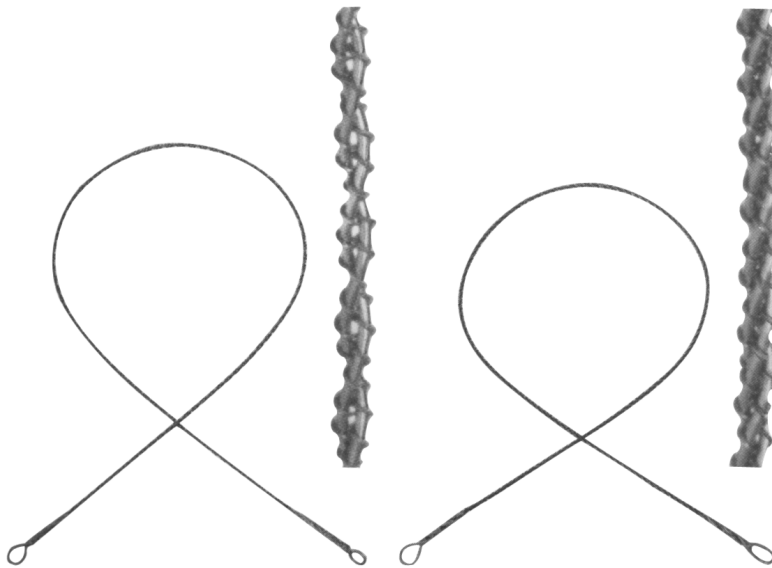
**SS-06-171**  
**CHARRIERE**  
 Length of blade  
 180 mm  
 Spare saw blades,  
 carbon steel  
**SS-06-172**  
**CHARRIERE**  
 Length of blade  
 240 mm  
 Spare saw blades,  
 carbon steel  
 340 mm



**SS-06-173**  
**SATTERLEE**  
 Length of blade  
 200 mm  
 Spare saw blades,  
 carbon steel  
 290 mm



**SS-06-174**  
**LANGENBECK**  
 Length of blade  
 115 mm  
 Metacarpal saw  
 235 mm



OLIVECRONA  
 SS-06-175 300 mm  
 SS-06-176 400 mm  
 mm SS-06-177 500 mm  
 mm SS-06-178 700 mm

GIGLI  
 B-179 300 mm B-180 400 mm  
 A-181 500 mm fine, 6 wires twisted  
 B-182 coares, 4 wires twisted



SS-06-183  
 GIGLI  
 Handle



SS-06-184  
 LEBSCHER  
 Conductor for wire saws, malleable 250 mm



1/2

CRUTCHFIELD  
SS-06-185  
Small Pattern



1/2

CRUTCHFIELD  
SS-06-186  
Medium Pattern



1/2

SS-06-187  
Large Pattern  
and Spare Pin

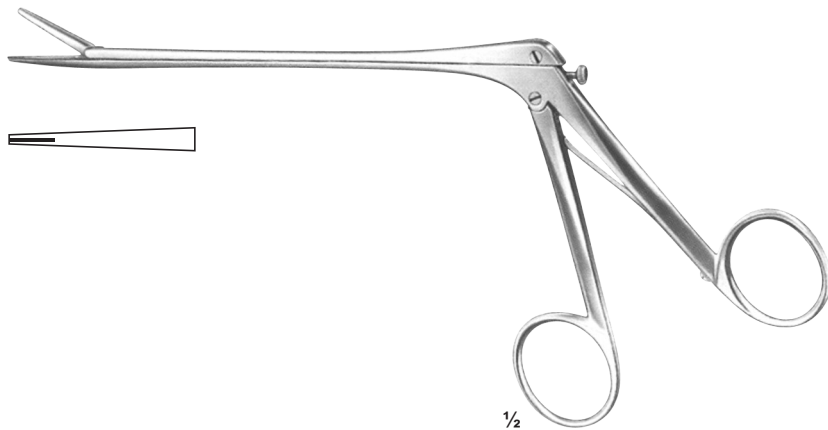


SS-06-188  
70 mm  
Drill Point



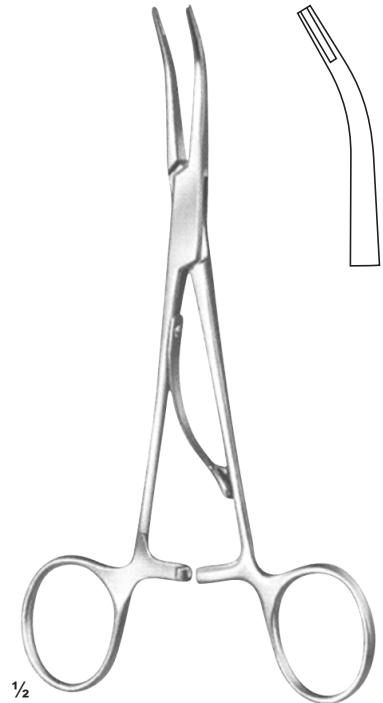
SS-06-189  
70 mm  
Drill Point





1/2

**OLIVECRONA-TOENNIS**  
**SS-06-193**  
Clip Applying Forceps



1/2

**MCKENZIE**  
**SS-06-194**  
185 mm  
Clip Applying Forceps



1/4

**KÖLNER**  
**SS-06-195**  
Scalp Clip



1/4

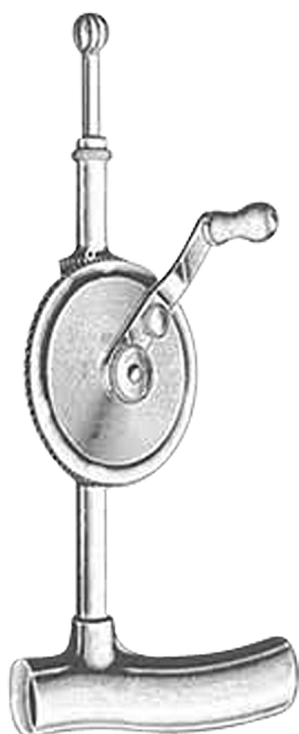
**RANEY**  
**SS-06-196**  
Scalp Clip



1/2

**RANEY**  
**SS-06-197**  
155 mm  
Applying/Removal  
Forceps





STILLE  
 SS-06-198 -  
 SS-06-209 complete  
 20 cm



SS-06-198  
 2.5 mm



SS-06-199  
 3.0 mm



SS-06-200  
 3.5 mm



SS-06-201  
 4.0 mm



SS-06-202  
 10.0 mm



SS-06-203  
 5.0 mm



SS-06-204  
 8.0 mm



SS-06-205  
 12.0 mm



SS-06-206  
 16.0 mm



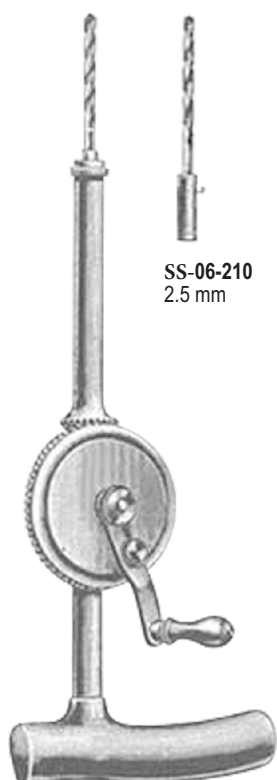
SS-06-207  
 1.0 mm



SS-06-208  
 1.5 mm



SS-06-209  
 2.0 mm



STILLE-SHERMAN  
 SS-06-210 -  
 SS-06-212 complete  
 24 cm



SS-06-210  
 2.5 mm



SS-06-211  
 3.0 mm



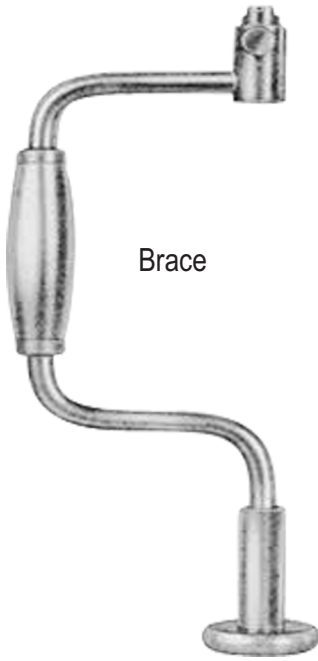
SS-06-212  
 3.5 mm



MOORE  
 SS-06-213  
 complete  
 28 cm



Set of 3



Brace

HUDSON  
SS-06-214 -  
SS-06-223  
Complete Set  
27 cm



SS-06-214  
9 mm



SS-06-215  
14 mm



SS-06-216  
16 mm



SS-06-217  
22 mm



SS-06-218  
14 mm



SS-06-219  
Extension  
Piece



SS-06-220  
Mckenzie  
15 mm



SS-06-221  
Mckenzie  
2.0 mm



SS-06-222  
Mckenzie  
1.3 mm



SS-06-223  
Derrico  
1.6 mm



KIRSCHNER  
SS-06-224  
Complete



Telescope Wire  
Drill Guide



SS-06-225  
Complete



Telescope Wire  
Drill Guide



BUNNELL  
SS-06-226



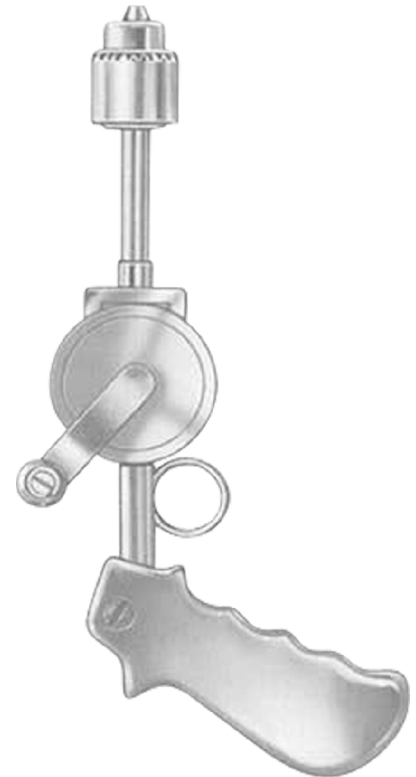
ROLK  
SS-06-227



**SS-06-228**  
 Drilling chuck, cannulated,  
 for shanks up to 6.35 mm diam.,  
 To be tightened by hand  
 10 cm



**SS-06-229**  
 Drilling chuck, cannulated,  
 for shanks up to 6.35 mm diam.,  
 With key  
 16 cm



**SS-06-230**

WE HAVE ALL RANGE OF INSTRUMENTS



## CONTACT INFO



+92-340 0473111



swisons.ind@gmail.com



www.swisons.com



Small Industrial Estate, Sialkot 51310 Pakistan

Get your high quality Instruments